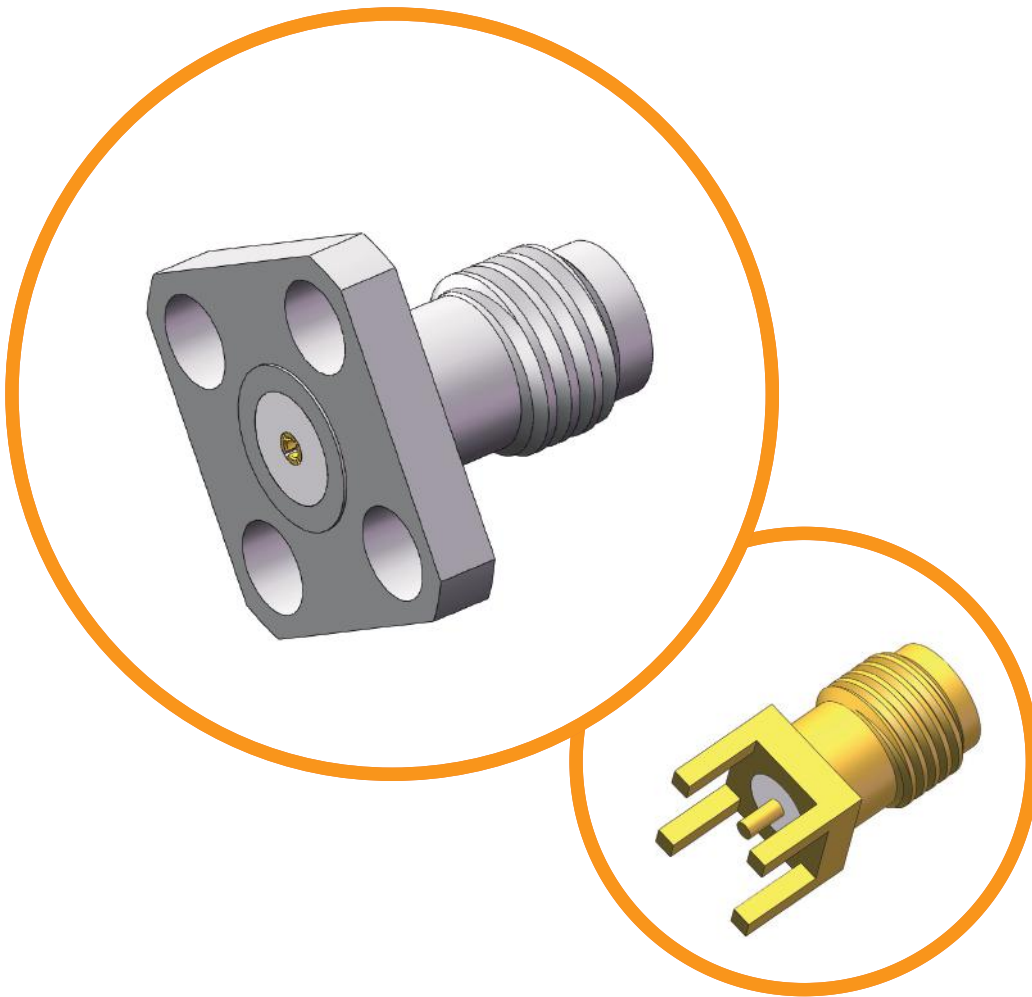


# SSMA DC to 36 GHz



Low VSWR

Ultra-low loss

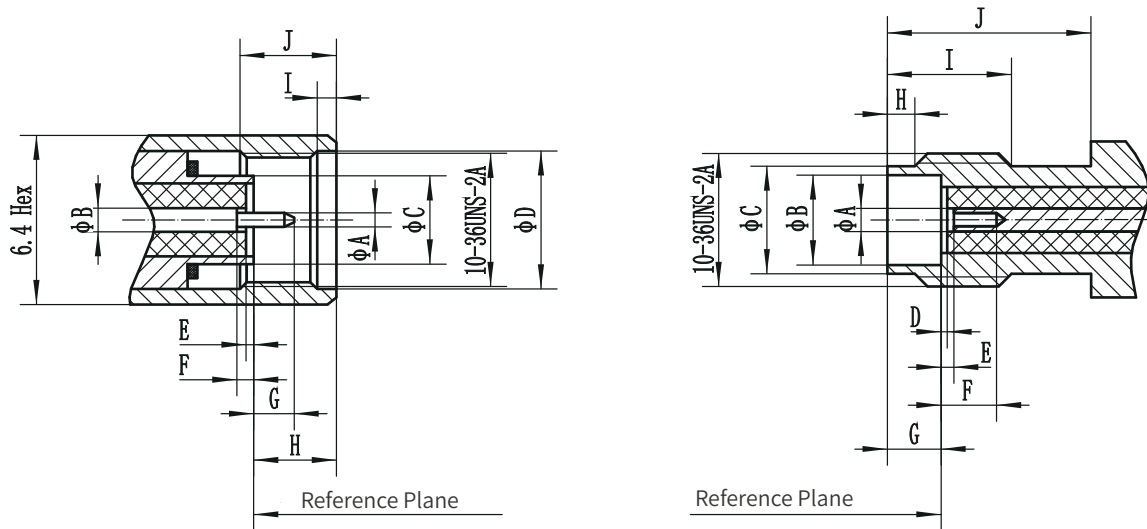
Durable & rugged

Extremely long service life

# SSMA Connector

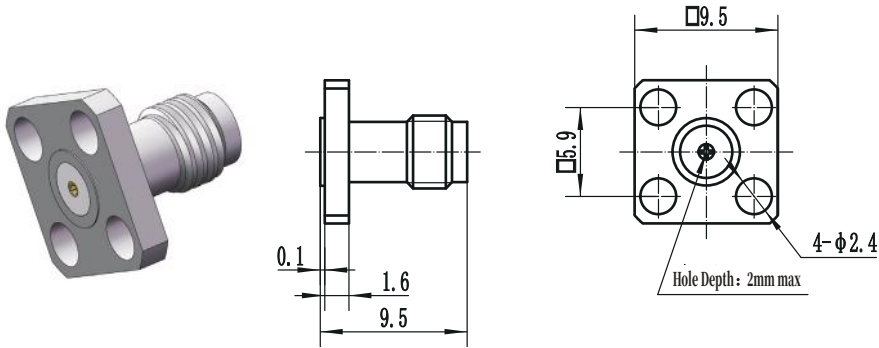
<b>Electrical Data</b>	Impedance	50 $\Omega$
	Frequency Range	DC ~ 36 GHz
	VSWR	1.3 ( Typical )
	IL	$\leq 0.06 \sqrt{F(\text{GHz})}$ dB
	Contact Resistance	Center Contact $\leq 4$ m $\Omega$ Outer Contact $\leq 2.5$ m $\Omega$
	Insulation Resistance	$\geq 5000$ M $\Omega$
	Dielectric Withstanding Voltage	$\geq 500$ Vrms
	<b>Environmental Data</b>	Temperature Range
<b>Material / Plating</b>	Bodies, Outer Contacts	Stainless Steel / Passivated; Brass / Gold, Nickel
	Center Contacts	Beryllium Copper, Brass / Gold
	Insulators	PTFE

## Interface Dimensions

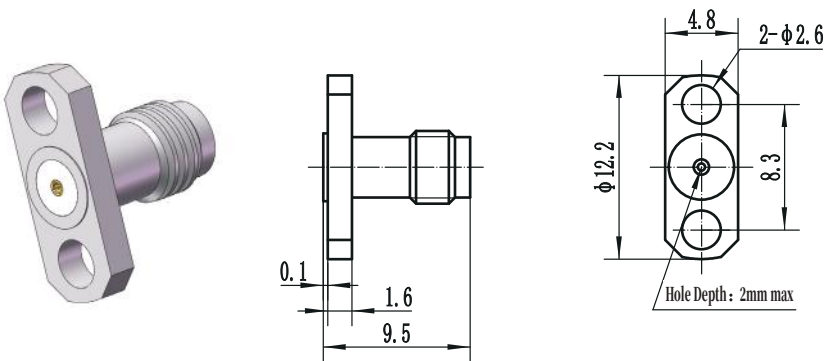


Plug ( male )		
	Min ( mm )	Max ( mm )
A	0.50	0.53
B	0.85	0.88
C	3.15	3.22
D	4.98	5.13
E	0.00	0.25
F	0.00	0.25
G	1.27	1.65
H	2.54	3.38
I	0.38	1.14
J	3.30	-

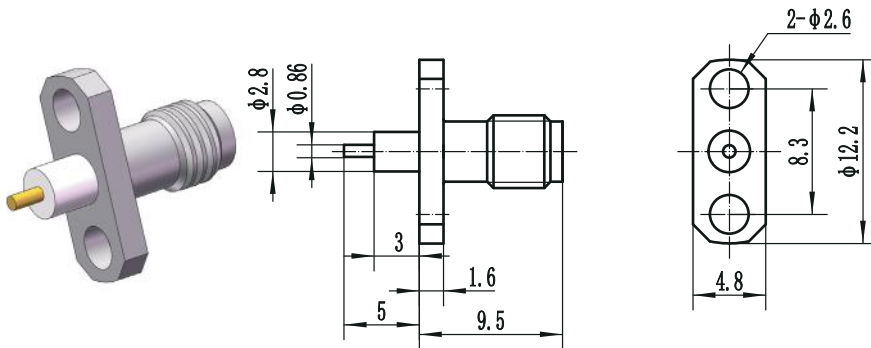
Jack ( female )		
	Min ( mm )	Max ( mm )
A	0.85	0.88
B	3.23	3.30
C	3.73	4.06
D	0.00	0.25
E	0.00	0.25
F	1.91	-
G	1.91	1.96
H	0.51	1.02
I	4.32	-
J	5.84	-



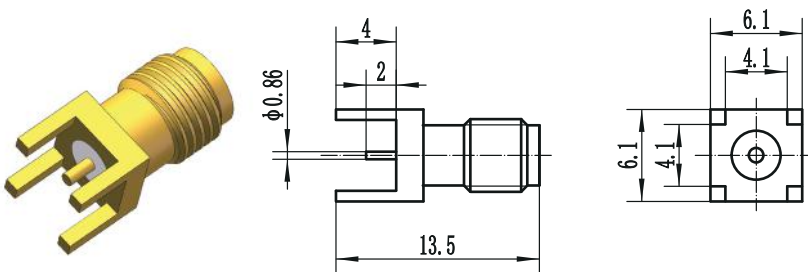
Accepts PIN DIA.	Model No.
Φ0.23mm	SSMA-KFD1
Φ0.30mm	SSMA-KFD2
Φ0.38mm	SSMA-KFD3
Φ0.46mm	SSMA-KFD4
Φ0.51mm	SSMA-KFD5
Φ0.90mm	SSMA-KFD6



Accepts PIN DIA.	Model No.
Φ0.23mm	SSMA-KFD7
Φ0.30mm	SSMA-KFD8
Φ0.38mm	SSMA-KFD9
Φ0.46mm	SSMA-KFD10
Φ0.51mm	SSMA-KFD11
Φ0.90mm	SSMA-KFD12



Model No.
SSMA-KFD13



Model No.
SSMA-KHD1