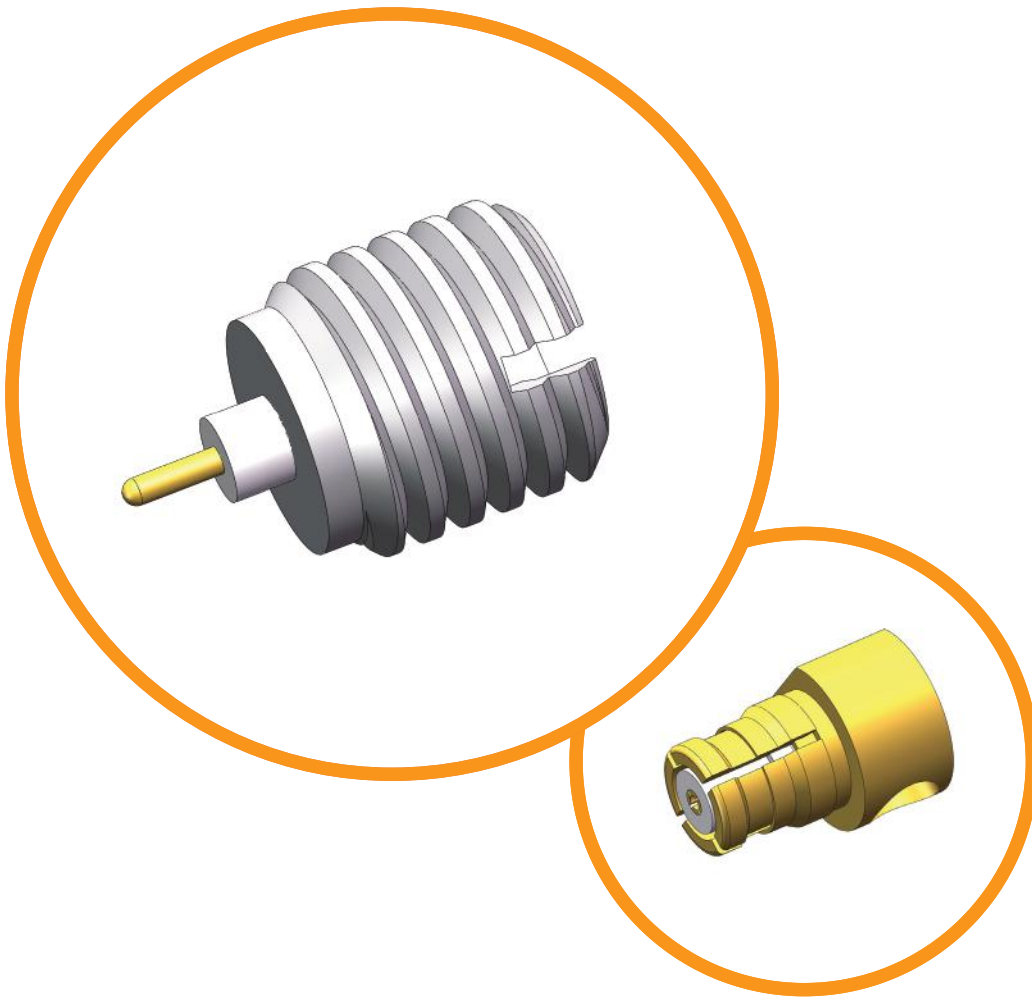


SMP

DC to 40 GHz

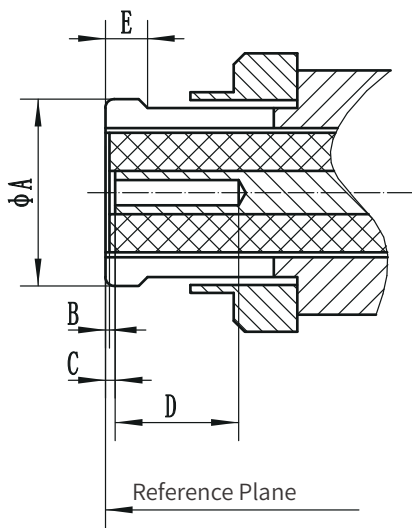


- Low VSWR
- Ultra-low loss
- Durable & rugged
- Extremely long service life

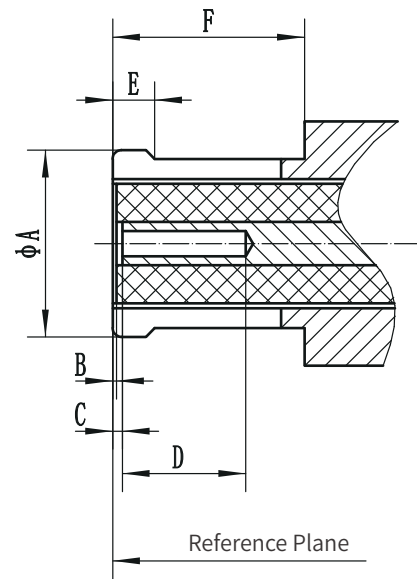
SMP Connector

Electrical Data	Impedance	50 Ω	
	Frequency Range	DC ~ 40 GHz	
	VSWR	1.3 (Typical)	
	IL	$\leq 0.06 \sqrt{F(\text{GHz})}$ dB	
	Contact Resistance	Center Contact	$\leq 6 \text{ m}\Omega$
		Outer Contact	$\leq 2.5 \text{ m}\Omega$
	Insulation Resistance	$\geq 5000 \text{ M}\Omega$	
	Dielectric Withstanding Voltage	$\geq 500 \text{ Vrms}$	
Environmental Data	Temperature Range	-55C° ~+ 165C°	
Material / Plating	Bodies, Outer Contacts	Beryllium Copper, Brass / Gold; Stainless Steel / Passivated	
	Center Contacts	Beryllium Copper, Brass / Gold	
	Insulators	PTFE, Glass	

Interface Dimensions



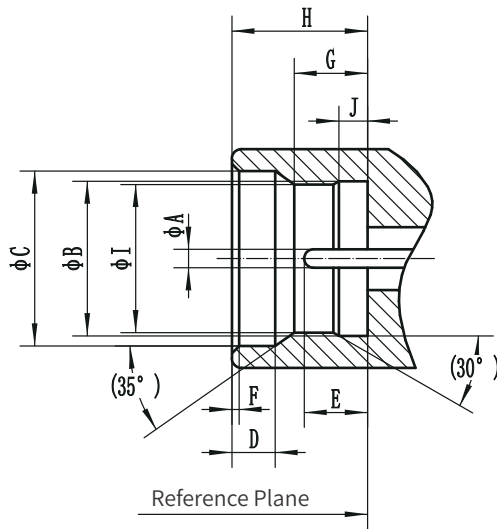
Interface of matching cable connector



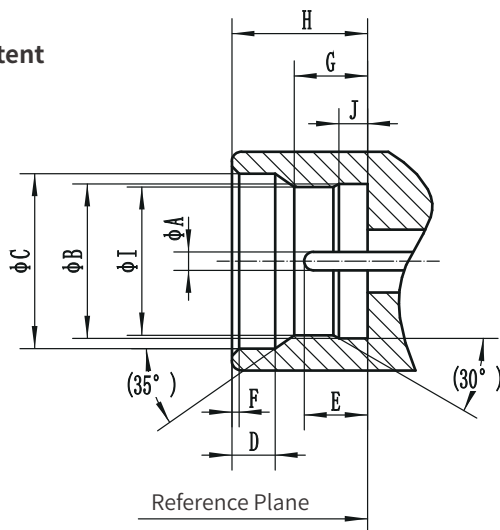
Interface without cable connector

Jack (female)		
	Min (mm)	Max (mm)
A		3.43
B	---(0.00)	
C		0.20
D	0.00	-
E	1.78	0.89
F	0.64	

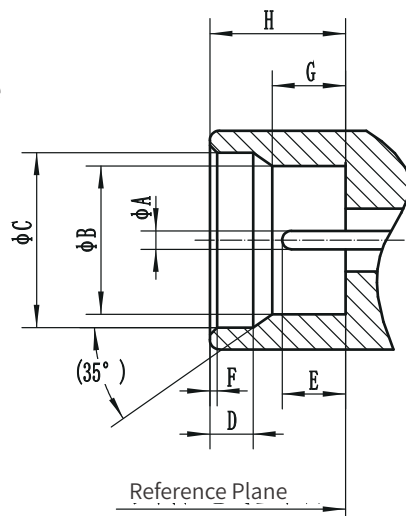
Jack (female)		
	Min (mm)	Max (mm)
A	-	3.43
B	---(0.00)	
C	0.00	0.20
D	1.78	-
E	0.64	0.89
F	2.84	-

Full Detent

Plug (male)

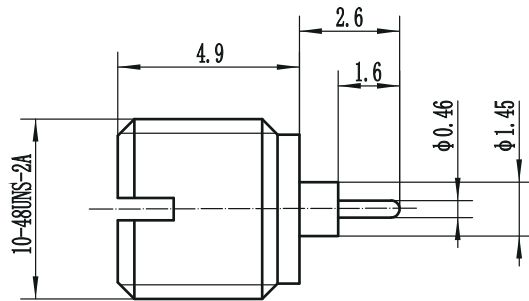
	Min (mm)	Max (mm)
A	0.36	0.41
B	3.15	3.20
C	3.53	3.68
D	0.84	0.94
E	1.14	1.40
F	0.08	0.20
G	1.30	1.45
H	2.74	2.84
I	2.90	3.00
J	0.521	0.597

Limited Detent

Plug (male)

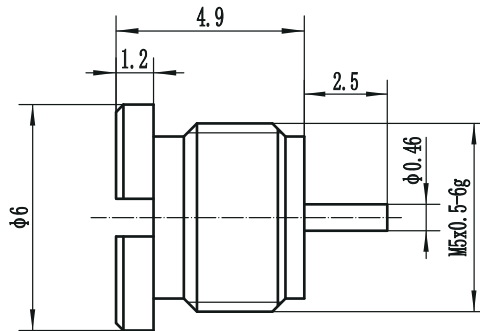
	Min (mm)	Max (mm)
A	0.36	0.41
B	3.15	3.20
C	3.53	3.68
D	0.84	0.94
E	1.14	1.40
F	0.08	0.20
G	1.37	1.52
H	2.74	2.84
I	3.00	3.10
J	0.521	0.597

Smooth Bore

Plug (male)

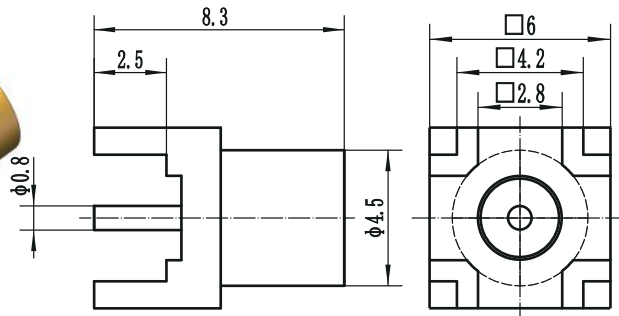
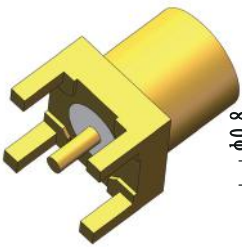
	Min (mm)	Max (mm)
A	0.36	0.41
B	3.12	3.23
C	3.53	3.68
D	0.84	0.94
E	1.14	1.40
F	0.08	0.20
G	1.50	1.65
H	2.74	2.84



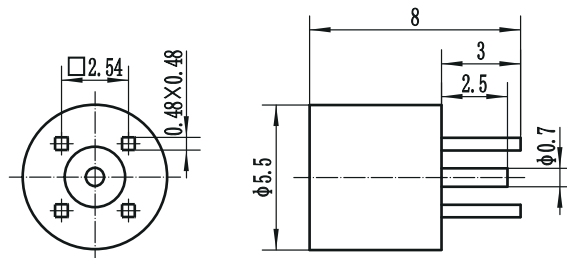
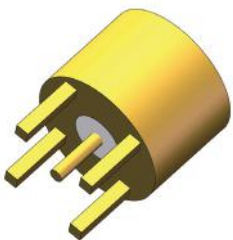
Model No.	Remarks
SMP-JYD1-S	Smooth Bore
SMP-JYD1-L	Limited Detent
SMP-JYD1-F	Full Detent



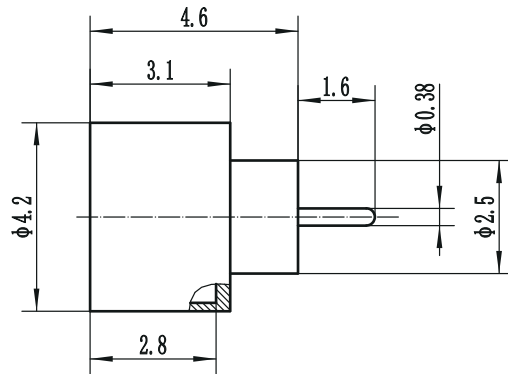
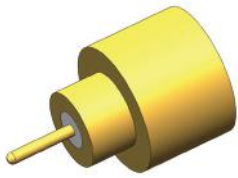
Model No.	Remarks
SMP-JYD2-S	Smooth Bore
SMP-JYD2-L	Limited Detent
SMP-JYD2-F	Full Detent



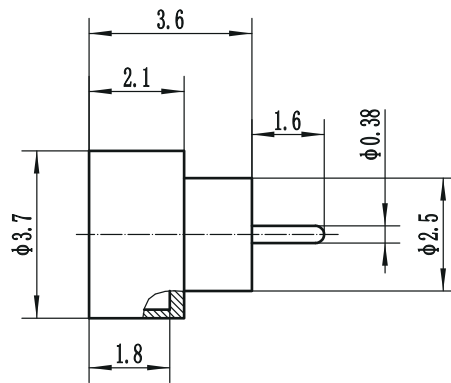
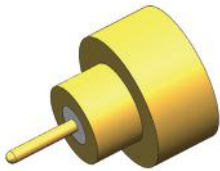
Model No.	Remarks
SMP-JHD1-S	Smooth Bore
SMP-JHD1-L	Limited Detent
SMP-JHD1-F	Full Detent



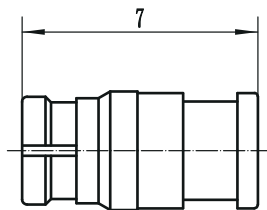
Model No.	Remarks
SMP-JHD2-S	Smooth Bore
SMP-JHD2-L	Limited Detent
SMP-JHD2-F	Full Detent



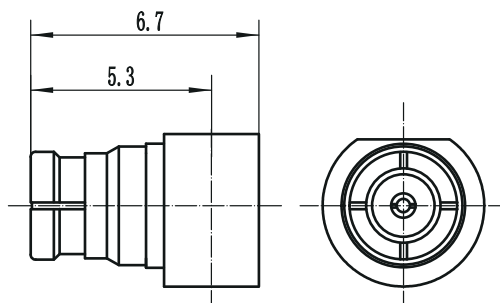
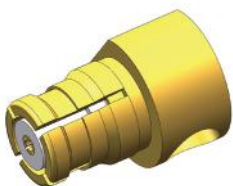
Model No.	Remarks
SMP(M)-JHD1-S	Smooth Bore
SMP(M)-JHD1-L	Limited Detent
SMP(M)-JHD1-F	Full Detent



Model No.	Remarks
SMP(M)-JHD2-S	Smooth Bore
SMP(M)-JHD2-L	Limited Detent
SMP(M)-JHD2-F	Full Detent



Model No.	Matching Cable
SMP-KB2-1	0.086" S/R Cable



Model No.	Matching Cable
SMP-KWB2-1	0.086" S/R Cable