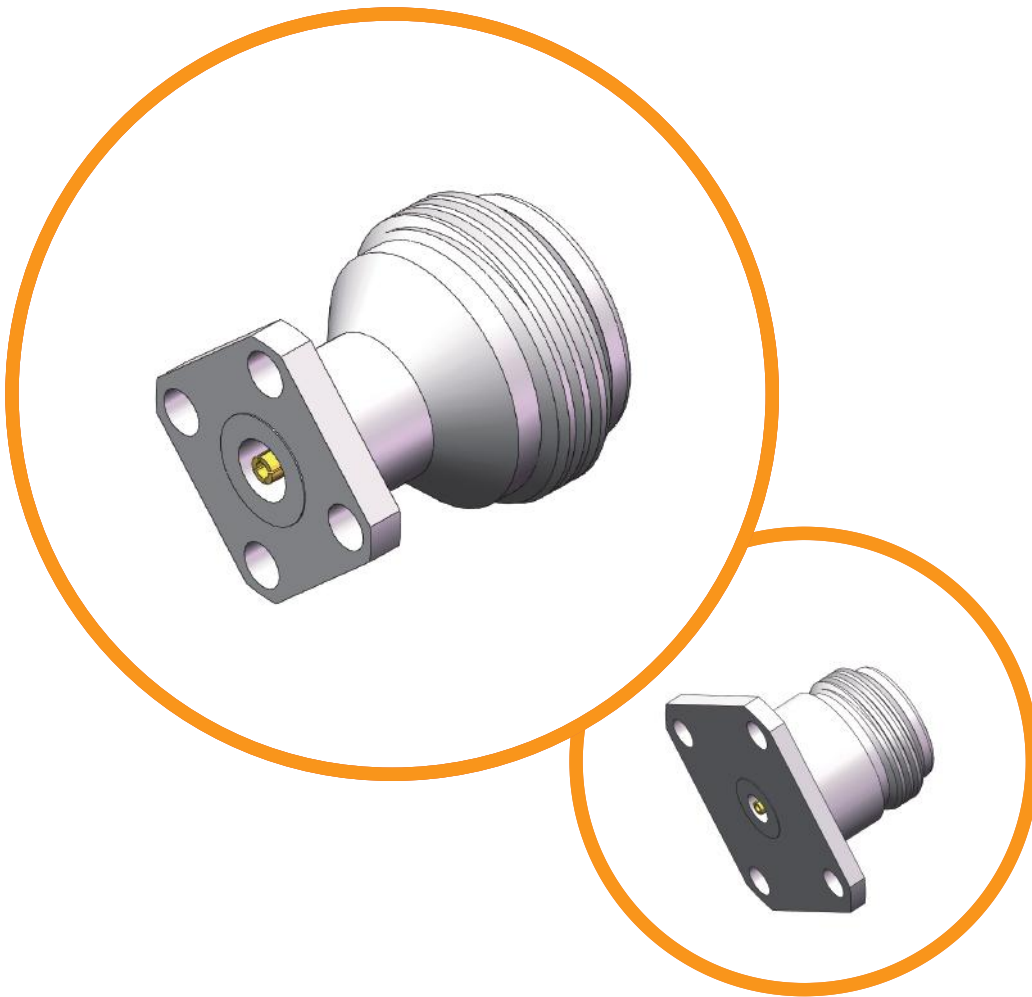


# N DC to 18 GHz

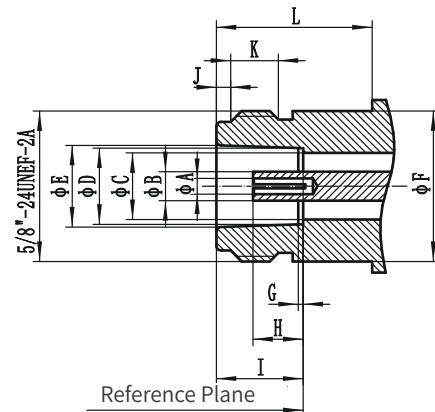
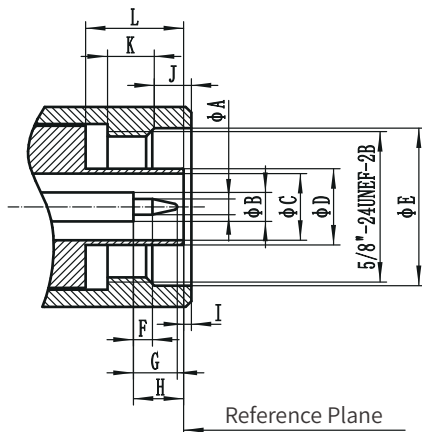


- Low VSWR
- Ultra-low loss
- Durable & rugged
- Extremely long service life

# N Connector

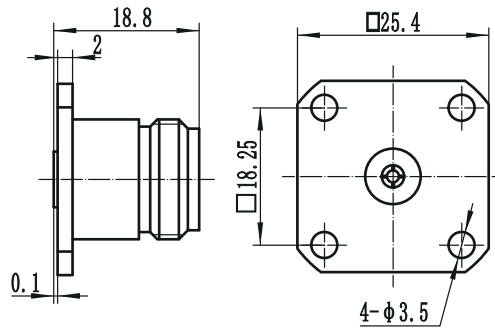
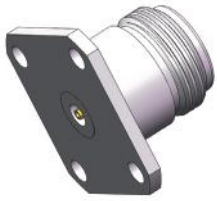
<b>Electrical Data</b>	Impedance	50 $\Omega$	
	Frequency Range	DC ~ 18 GHz	
	VSWR	1.2 ( Typical )	
	IL	$\leq 0.06 \sqrt{F(\text{GHz})}$ dB	
	Contact Resistance	Center Contact	$\leq 1.5 \text{ m}\Omega$
		Outer Contact	$\leq 0.5 \text{ m}\Omega$
	Insulation Resistance	$\geq 5000 \text{ M}\Omega$	
	Dielectric Withstanding Voltage	$\geq 1500 \text{ Vrms}$	
<b>Environmental Data</b>	Temperature Range	-55C° ~+ 165C°	
<b>Material / Plating</b>	Bodies, Outer Contacts	Stainless Steel / Passivated	
		Brass / Gold, Nickel, Ternary Alloy	
	Center Contacts	Beryllium Copper, Brass / Gold, Silver	
	Insulators	PTFE, PEI	

## Interface Dimensions

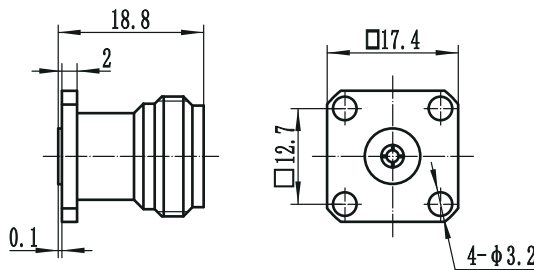


Plug ( male )		
	Min ( mm )	Max ( mm )
A	1.64	1.67
B	3.03	3.05
C	6.99	7.01
D	7.98	8.04
E	16.00	-
F	1.78	2.03
G	(4.52)	
H	5.33	5.84
I	0.28	1.30
J	4.01	4.27
K	4.50	5.00
L	9.19	9.58

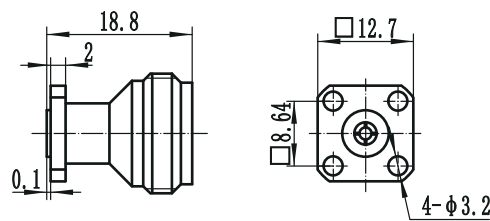
Jack ( female )		
	Min ( mm )	Max ( mm )
A	1.60	1.68
B	3.02	3.15
C	6.99	7.01
D	8.05	8.10
E	8.53	8.74
F	-	15.93
G	0.51	1.02
H	4.75	5.26
I	4.57	5.59
J	1.19	1.96
K	4.57	5.59
L	11.23	-



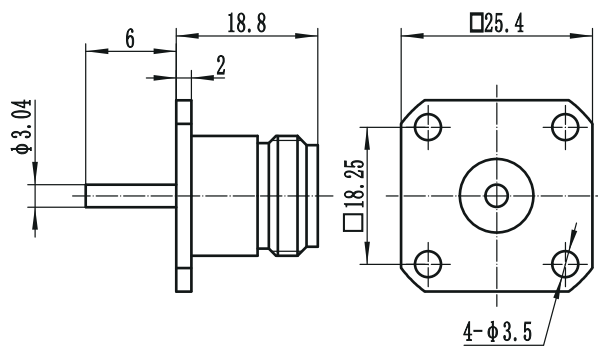
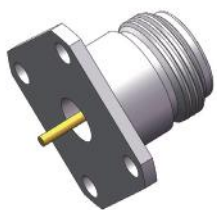
Accepts PIN DIA.	Model No.
Φ0.90mm	N-KFD1
Φ0.51mm	N-KFD2
Φ0.46mm	N-KFD3
Φ0.38mm	N-KFD4



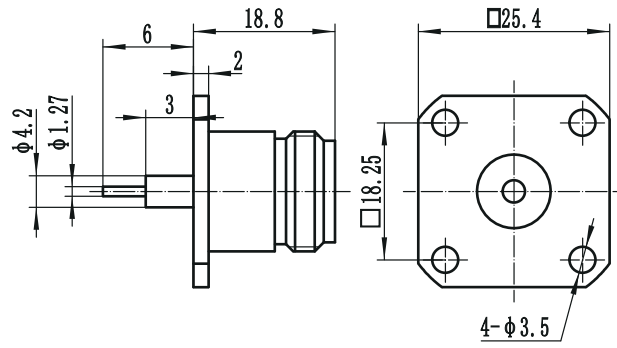
Accepts PIN DIA.	Model No.
Φ0.90mm	N-KFD5
Φ0.51mm	N-KFD6
Φ0.46mm	N-KFD7
Φ0.38mm	N-KFD8



Accepts PIN DIA.	Model No.
Φ0.90mm	N-KFD9
Φ0.51mm	N-KFD10
Φ0.46mm	N-KFD11
Φ0.38mm	N-KFD12



Model No.
N-KFD13



Model No.

N-KFD14