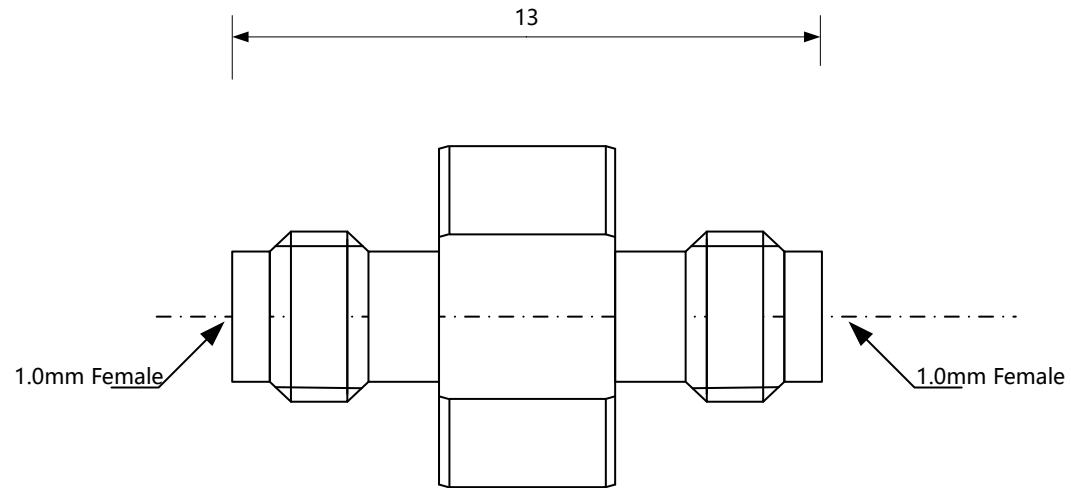


Part Number	Length	Frequency Range	Insertion Loss	VSWR	Impedance
1.0-JJ1	15.8 mm	110 GHz	≤0.5dB @ 110 GHz	VSWR≤1.5 @ 110 GHz	50 Ω

Electrical, Mechanical and Environmental Characteristics:

- (1) Voltage Withstand: ≥300 V;
- (2) Insulation Resistance: ≥5000 MΩ;
- (3) Durability: ≥500 Times;
- (4) Operating Temperature Range: +15°C ~ +35°C.



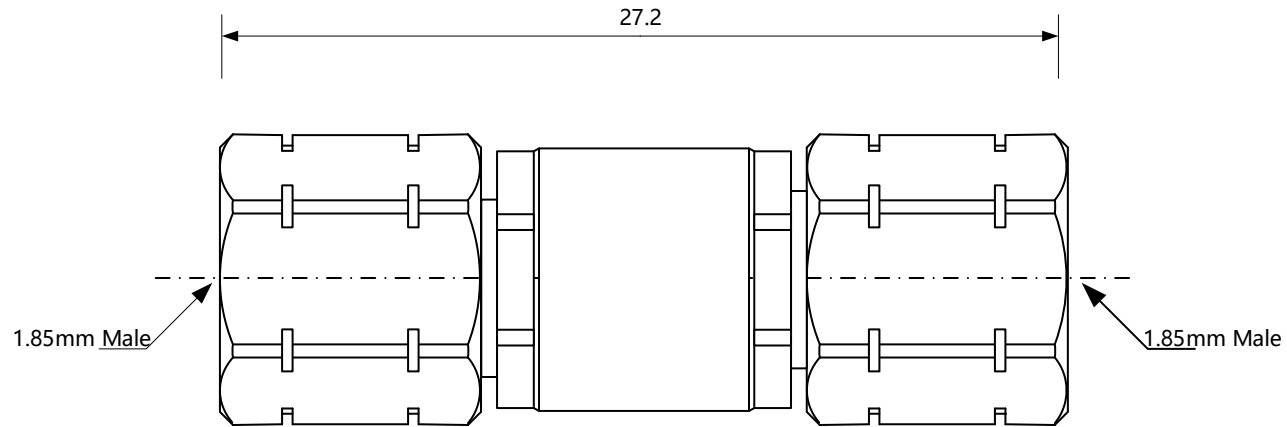
Part Number	Length	Frequency Range	Insertion Loss	VSWR	Impedance
1.0-KK1	13 mm	110 GHz	≤0.5dB @ 110 GHz	VSWR≤1.6 @ 110 GHz	50 Ω

Electrical, Mechanical and Environmental Characteristics:

- (1) Voltage Withstand: ≥300 V;
- (2) Insulation Resistance: ≥5000 MΩ;
- (3) Durability: ≥500 Times;
- (4) Operating Temperature Range: +15°C ~ +35°C.

Mechanc (Shanghai) Information Technology Co., Ltd.



Part Number	Length	Frequency Range	Insertion Loss	VSWR	Impedance
1.85-JJ1	27.2 mm	67 GHz	≤0.5dB @ 67 GHz	VSWR≤1.25 @ 67 GHz	50 Ω

**Electrical, Mechanical and Environmental Characteristics:**

- (1) Voltage Withstand: ≥500 V;
- (2) Insulation Resistance: ≥5000 MΩ;
- (3) Durability: ≥500 Times;
- (4) Operating Temperature Range: -15°C ~ +165°C.

**Material Type:**

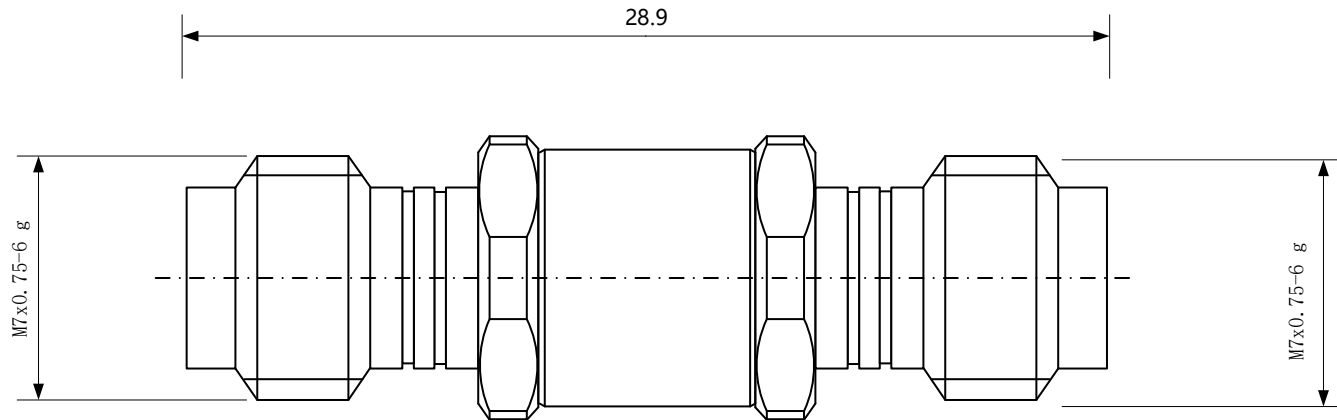
- (1) Inner Conductor: Beryllium Bronze/Gold PLated;
- (2) Insulator: PEI;
- (3) Outer conductor: Stainless Steel/Passivation.

Mechanc (Shanghai) Information Technology Co., Ltd.




[www.mechanc.com](http://www.mechanc.com)

[sales@mechanc.com](mailto:sales@mechanc.com)



Part Number	Length	Frequency Range	Insertion Loss	VSWR	Impedance
1.85-KK1	28.9 mm	67 GHz	≤0.7 dB @ 67 GHz	VSWR≤1.3 @ 67 GHz	50 Ω

**Electrical, Mechanical and Environmental Characteristics:**

- (1) Voltage Withstand: ≥500 V;
- (2) Insulation Resistance: ≥5000 MΩ;
- (3) Durability: ≥500 Times;
- (4) Operating Temperature Range: -15°C ~ +165°C.

**Material Type:**

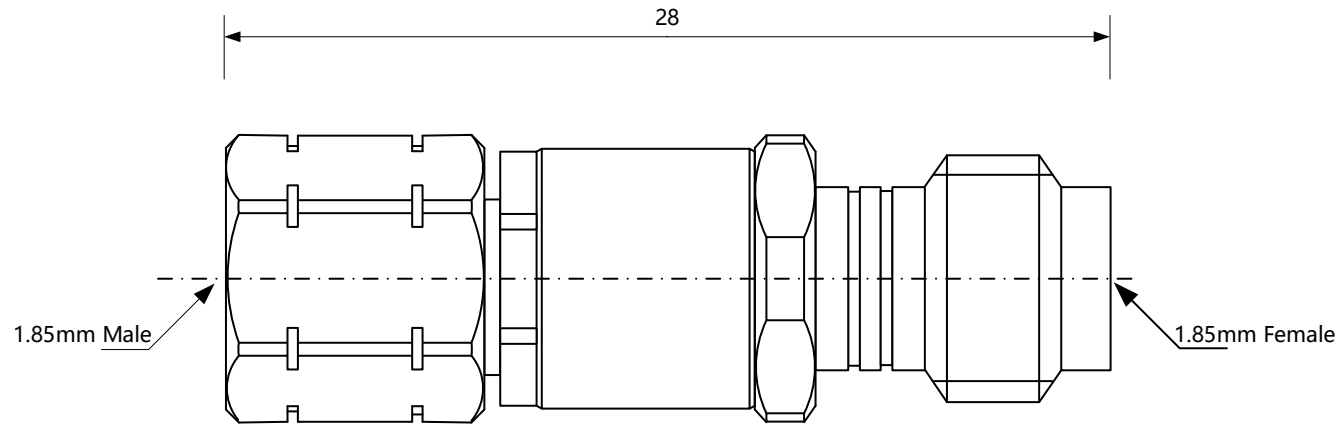
- (1) Inner Conductor: Beryllium Bronze/Gold PLated;
- (2) Insulator: PEI;
- (3) Outer conductor: Stainless Steel/Passivation.

Mechanc (Shanghai) Information Technology Co., Ltd.




[www.mechanc.com](http://www.mechanc.com)

[sales@mechanc.com](mailto:sales@mechanc.com)



Part Number	Length	Frequency Range	Insertion Loss	VSWR	Impedance
1.85-JK1	28 mm	67 GHz	≤0.5dB @ 67 GHz	VSWR≤1.25 @ 67 GHz	50 Ω

**Electrical, Mechanical and Environmental Characteristics:**

- (1) Voltage Withstand: ≥500 V;
- (2) Insulation Resistance: ≥5000 MΩ;
- (3) Durability: ≥500 Times;
- (4) Operating Temperature Range: -15°C ~ +165°C.

**Material Type:**

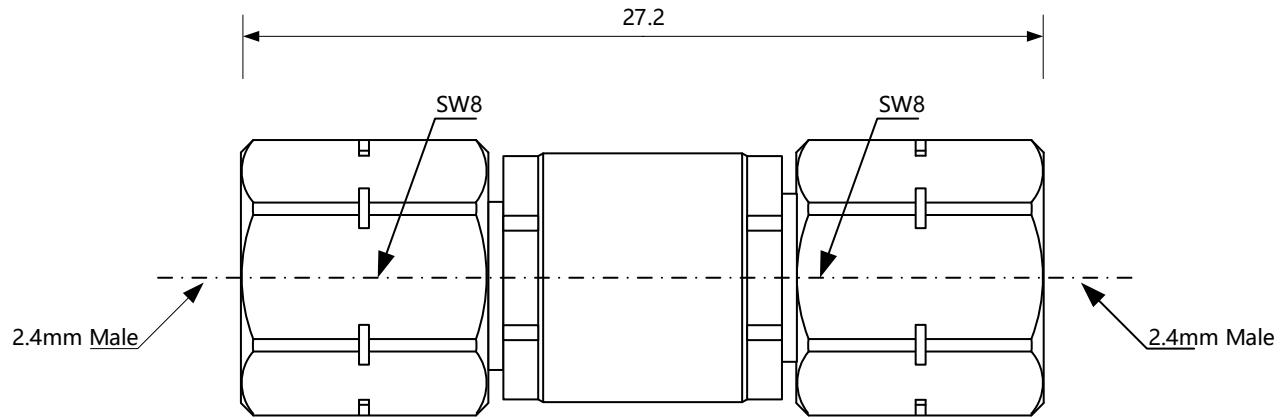
- (1) Inner Conductor: Beryllium Bronze/Gold PLated;
- (2) Insulator: PEI;
- (3) Outer conductor: Stainless Steel/Passivation.

Mechanc (Shanghai) Information Technology Co., Ltd.




[www.mechanc.com](http://www.mechanc.com)

[sales@mechanc.com](mailto:sales@mechanc.com)



Part Number	Length	Frequency Range	Insertion Loss	VSWR	Impedance
2.4-JJ1	27.2 mm	50 GHz	$\leq 0.06\sqrt{f}$ dB	VSWR $\leq 1.15$ @ 50 GHz	50 $\Omega$

**Electrical, Mechanical and Environmental Characteristics:**

- (1) Voltage Withstand:  $\geq 500$  V;
- (2) Insulation Resistance:  $\geq 5000$  M $\Omega$ ;
- (3) Durability:  $\geq 500$  Times;
- (4) Operating Temperature Range:  $-55^{\circ}\text{C} \sim +165^{\circ}\text{C}$ .

**Material Type:**

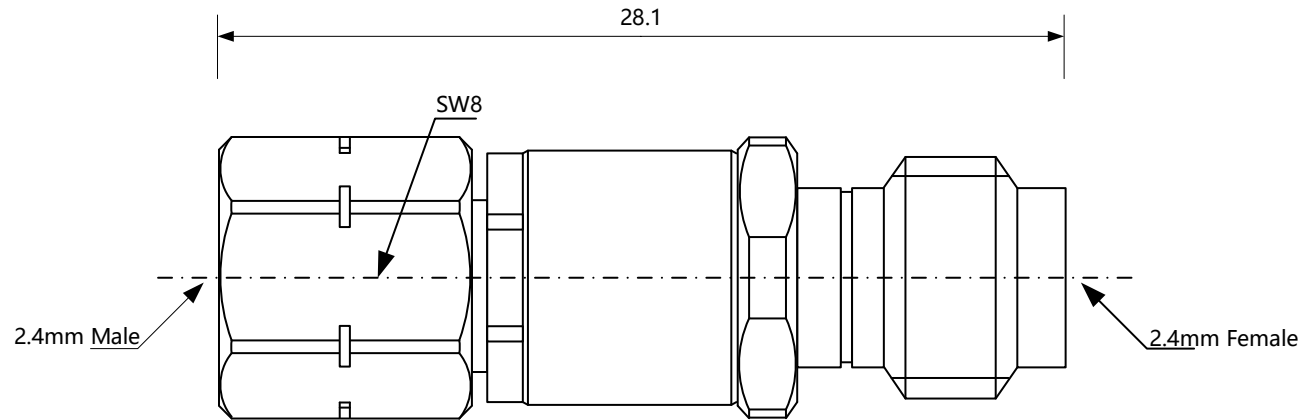
- (1) Inner Conductor: Beryllium Bronze/Gold PLated;
- (2) Insulator: PEI;
- (3) Outer conductor: Stainless Steel/Passivation.

Mechanc (Shanghai) Information Technology Co., Ltd.




[www.mechanc.com](http://www.mechanc.com)

[sales@mechanc.com](mailto:sales@mechanc.com)



Part Number	Length	Frequency Range	Insertion Loss	VSWR	Impedance
2.4-JK1	28.1 mm	50 GHz	$\leq 0.06$ vfdB	VSWR $\leq 1.15$ @ 50 GHz	50 $\Omega$

**Electrical, Mechanical and Environmental Characteristics:**

- (1) Voltage Withstand:  $\geq 500$  V;
- (2) Insulation Resistance:  $\geq 5000$  M $\Omega$ ;
- (3) Durability:  $\geq 500$  Times;
- (4) Operating Temperature Range:  $-55^{\circ}\text{C} \sim +165^{\circ}\text{C}$ .

**Material Type:**

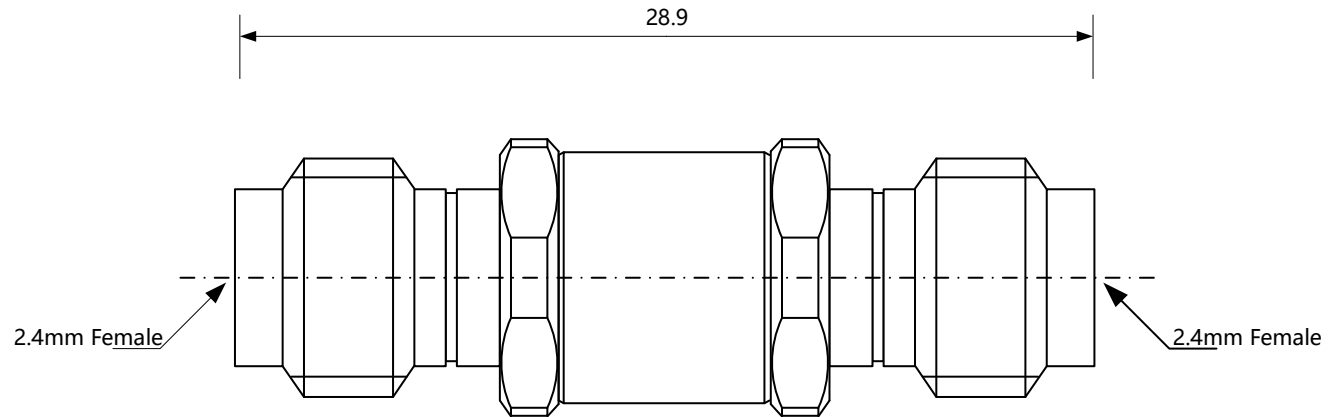
- (1) Inner Conductor: Beryllium Bronze/Gold PLated;
- (2) Insulator: PEI;
- (3) Outer conductor: Stainless Steel/Passivation.

Mechanc (Shanghai) Information Technology Co., Ltd.




[www.mechanc.com](http://www.mechanc.com)

[sales@mechanc.com](mailto:sales@mechanc.com)



Part Number	Length	Frequency Range	Insertion Loss	VSWR	Impedance
2.4-KK1	28.9 mm	50 GHz	$\leq 0.06 \text{ VdB}$	VSWR $\leq 1.15$ @ 50 GHz	50 $\Omega$

**Electrical, Mechanical and Environmental Characteristics:**

- (1) Voltage Withstand:  $\geq 500 \text{ V}$ ;
- (2) Insulation Resistance:  $\geq 5000 \text{ M}\Omega$ ;
- (3) Durability:  $\geq 500$  Times;
- (4) Operating Temperature Range:  $-55^\circ\text{C} \sim +165^\circ\text{C}$ .

**Material Type:**

- (1) Inner Conductor: Beryllium Bronze/Gold PLated;
- (2) Insulator: PEI;
- (3) Outer conductor: Stainless Steel/Passivation.

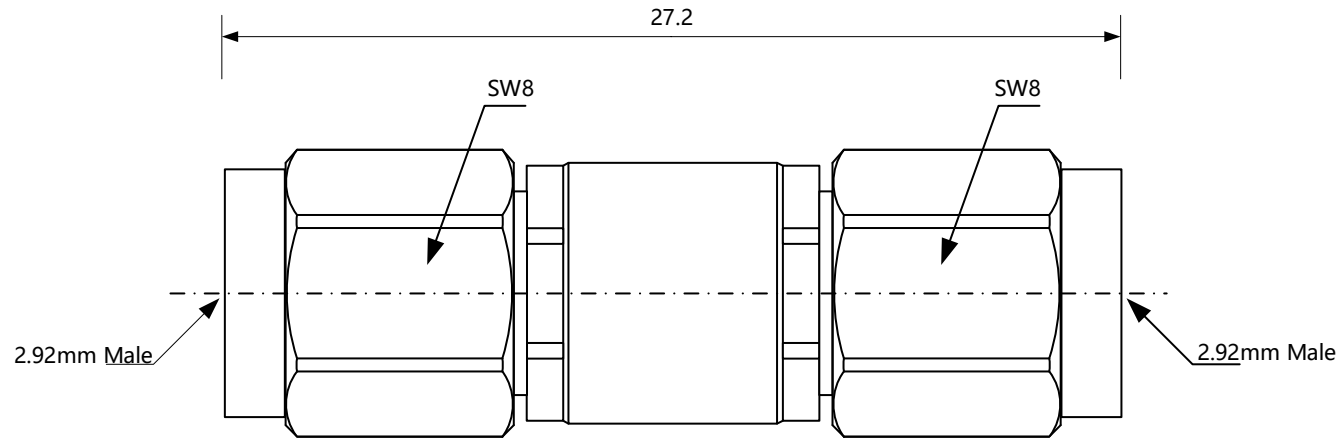
Mechanc (Shanghai) Information Technology Co., Ltd.




[www.mechanc.com](http://www.mechanc.com)

[sales@mechanc.com](mailto:sales@mechanc.com)





Part Number	Length	Frequency Range	Insertion Loss	VSWR	Impedance
2.92-JJ1	27.2 mm	40 GHz	$\leq 0.06\sqrt{f}$ dB	VSWR $\leq 1.12$ @ 40 GHz	50 $\Omega$

Electrical, Mechanical and Environmental Characteristics:

- (1) Voltage Withstand:  $\geq 500$  V;
- (2) Insulation Resistance:  $\geq 5000$  M $\Omega$ ;
- (3) Durability:  $\geq 500$  Times;
- (4) Operating Temperature Range:  $-55^{\circ}\text{C} \sim +165^{\circ}\text{C}$ .

Material Type:

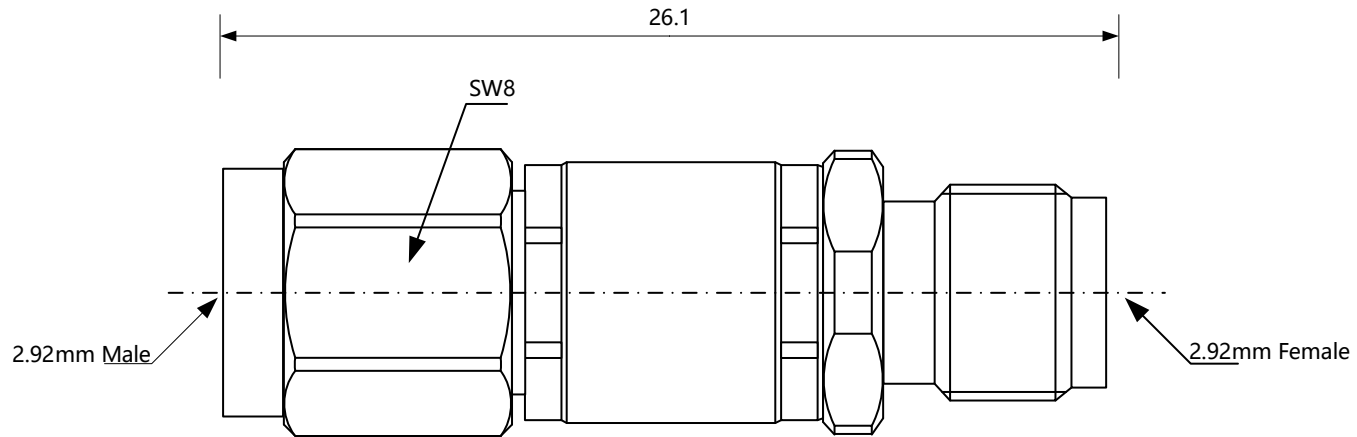
- (1) Inner Conductor: Beryllium Bronze/Gold PLated;
- (2) Insulator: PEI;
- (3) Outer conductor: Stainless Steel/Passivation.

Mechanc (Shanghai) Information Technology Co., Ltd.




[www.mechanc.com](http://www.mechanc.com)

[sales@mechanc.com](mailto:sales@mechanc.com)



Part Number	Length	Frequency Range	Insertion Loss	VSWR	Impedance
2.92-JK1	26.1 mm	40 GHz	$\leq 0.06 \sqrt{f}$ dB	VSWR $\leq 1.12$ @ 40 GHz	50 $\Omega$

**Electrical, Mechanical and Environmental Characteristics:**

- (1) Voltage Withstand:  $\geq 500$  V;
- (2) Insulation Resistance:  $\geq 5000$  M $\Omega$ ;
- (3) Durability:  $\geq 500$  Times;
- (4) Operating Temperature Range:  $-55^{\circ}\text{C} \sim +165^{\circ}\text{C}$ .

**Material Type:**

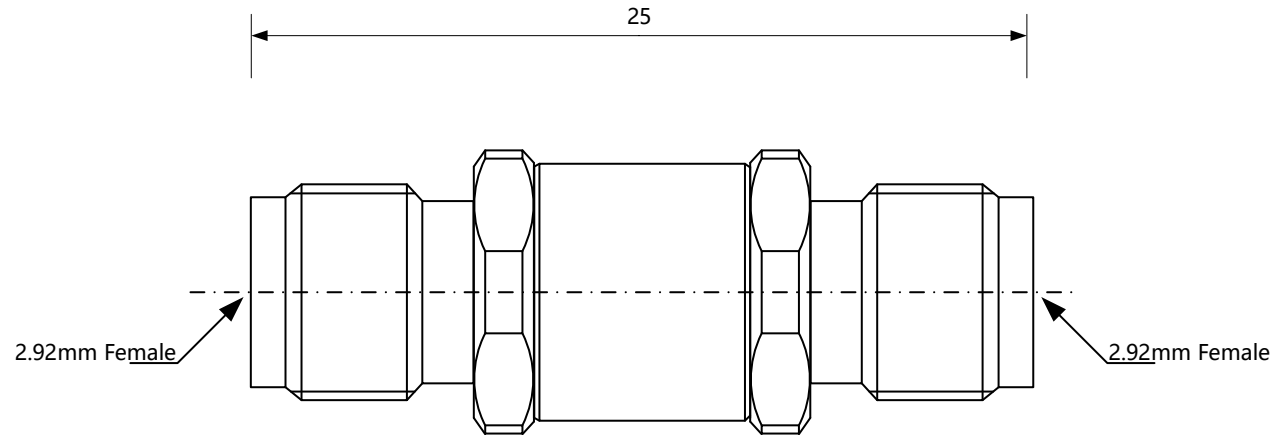
- (1) Inner Conductor: Beryllium Bronze/Gold PLated;
- (2) Insulator: PEI;
- (3) Outer conductor: Stainless Steel/Passivation.

Mechanc (Shanghai) Information Technology Co., Ltd.




[www.mechanc.com](http://www.mechanc.com)

[sales@mechanc.com](mailto:sales@mechanc.com)



Part Number	Length	Frequency Range	Insertion Loss	VSWR	Impedance
2.92-KK1	25 mm	40 GHz	$\leq 0.06\sqrt{f}$ dB	VSWR $\leq 1.12$ @ 40 GHz	50 $\Omega$

**Electrical, Mechanical and Environmental Characteristics:**

- (1) Voltage Withstand:  $\geq 500$  V;
- (2) Insulation Resistance:  $\geq 5000$  M $\Omega$ ;
- (3) Durability:  $\geq 500$  Times;
- (4) Operating Temperature Range:  $-55^{\circ}\text{C} \sim +165^{\circ}\text{C}$ .

**Material Type:**

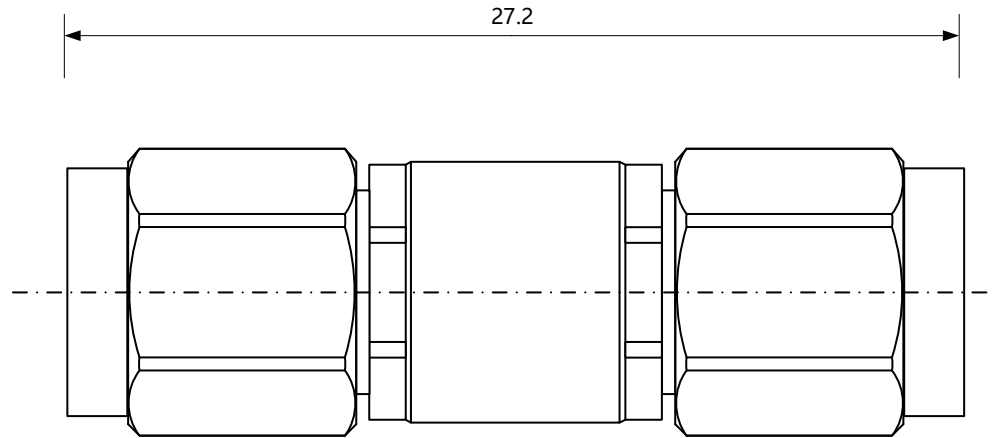
- (1) Inner Conductor: Beryllium Bronze/Gold PLated;
- (2) Insulator: PEI;
- (3) Outer conductor: Stainless Steel/Passivation.

Mechanc (Shanghai) Information Technology Co., Ltd.




[www.mechanc.com](http://www.mechanc.com)

[sales@mechanc.com](mailto:sales@mechanc.com)



Part Number	Length	Frequency Range	Insertion Loss	VSWR	Impedance
SMA-JJ1	27.2 mm	18 GHz	≤0.15dB @ 18 GHz	VSWR≤1.10 @ 18 GHz	50 Ω

**Electrical, Mechanical and Environmental Characteristics:**

- (1) Voltage Withstand: ≥500 V;
- (2) Insulation Resistance: ≥5000 MΩ;
- (3) Durability: ≥500 Times;
- (4) Operating Temperature Range: -55°C ~ +165°C.

**Material Type:**

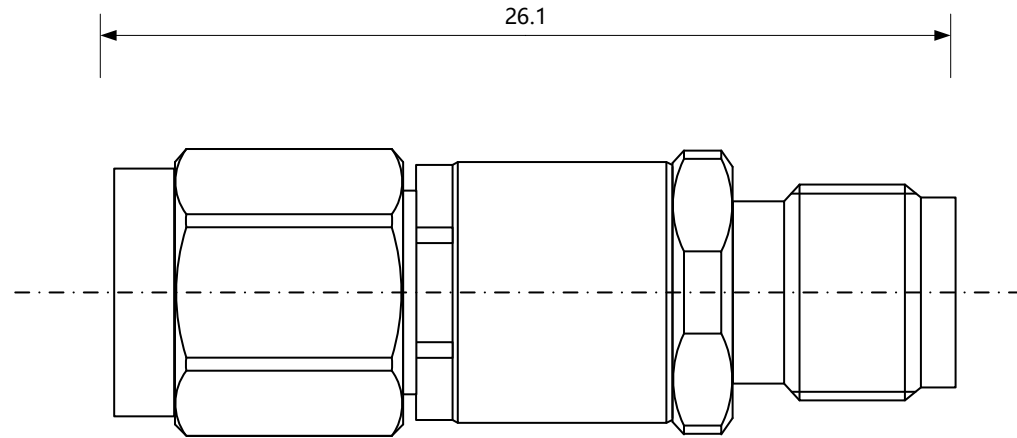
- (1) Inner Conductor: Beryllium Bronze/Gold PLated;
- (2) Insulator: PEI;
- (3) Outer conductor: Stainless Steel/Passivation.

Mechanc (Shanghai) Information Technology Co., Ltd.




[www.mechanc.com](http://www.mechanc.com)

[sales@mechanc.com](mailto:sales@mechanc.com)



Part Number	Length	Frequency Range	Insertion Loss	VSWR	Impedance
SMA-JK1	26.1 mm	18 GHz	≤0.15dB @ 18 GHz	VSWR≤1.10 @ 18 GHz	50 Ω

**Electrical, Mechanical and Environmental Characteristics:**

- (1) Voltage Withstand: ≥500 V;
- (2) Insulation Resistance: ≥5000 MΩ;
- (3) Durability: ≥500 Times;
- (4) Operating Temperature Range: -55°C ~ +165°C.

**Material Type:**

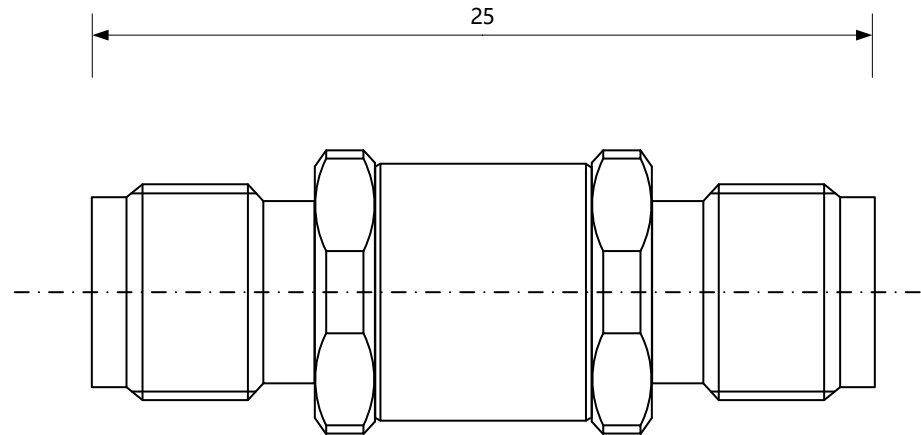
- (1) Inner Conductor: Beryllium Bronze/Gold PLated;
- (2) Insulator: PEI;
- (3) Outer conductor: Stainless Steel/Passivation.

Mechanc (Shanghai) Information Technology Co., Ltd.




[www.mechanc.com](http://www.mechanc.com)

[sales@mechanc.com](mailto:sales@mechanc.com)



Part Number	Length	Frequency Range	Insertion Loss	VSWR	Impedance
SMA-KK1	25 mm	18 GHz	≤0.15dB @ 18 GHz	VSWR≤1.10 @ 18 GHz	50 Ω

**Electrical, Mechanical and Environmental Characteristics:**

- (1) Voltage Withstand: ≥500 V;
- (2) Insulation Resistance: ≥5000 MΩ;
- (3) Durability: ≥500 Times;
- (4) Operating Temperature Range: -55°C ~ +165°C.

**Material Type:**

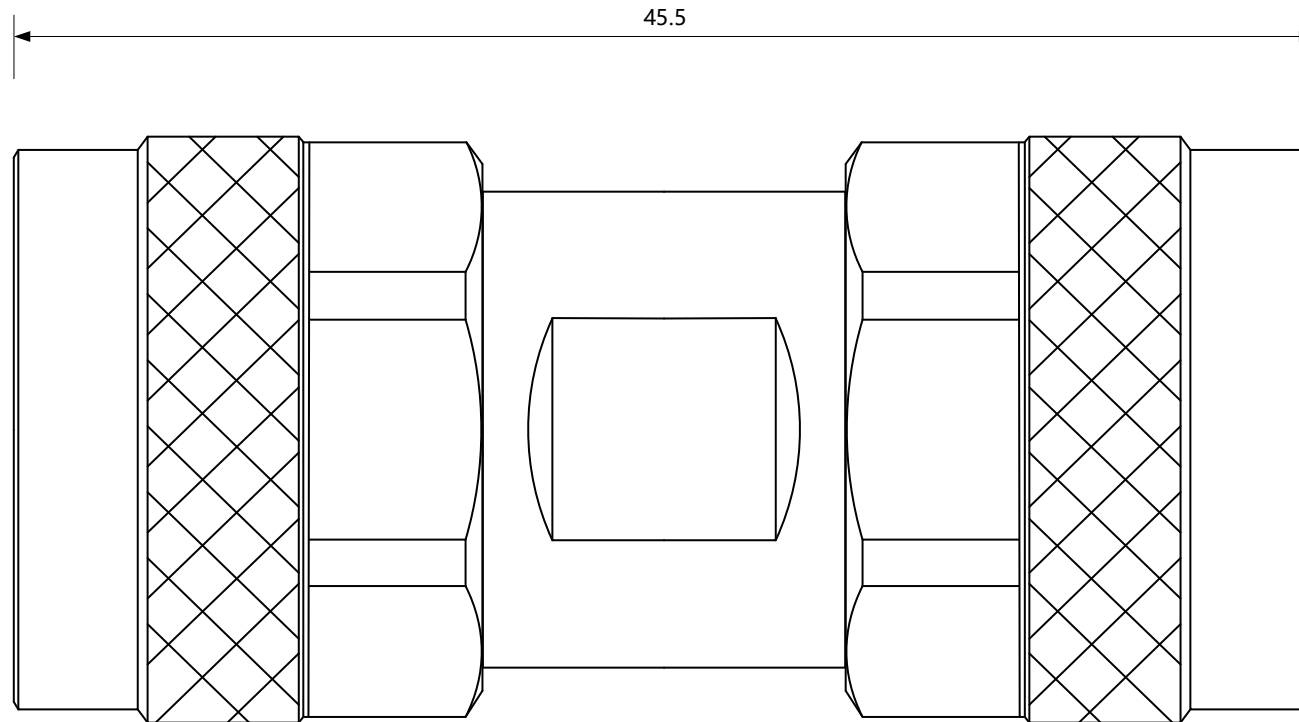
- (1) Inner Conductor: Beryllium Bronze/Gold PLated;
- (2) Insulator: PEI;
- (3) Outer conductor: Stainless Steel/Passivation.

Mechanc (Shanghai) Information Technology Co., Ltd.




[www.mechanc.com](http://www.mechanc.com)

[sales@mechanc.com](mailto:sales@mechanc.com)



Part Number	Length	Frequency Range	Insertion Loss	VSWR	Impedance
N-JJ1	45.5 mm	18 GHz	≤0.15dB @ 18 GHz	VSWR≤1.09 @ 18 GHz	50 Ω

**Electrical, Mechanical and Environmental Characteristics:**

- (1) Voltage Withstand: ≥500 V;
- (2) Insulation Resistance: ≥5000 MΩ;
- (3) Durability: ≥500 Times;
- (4) Operating Temperature Range: -55°C ~ +165°C.

**Material Type:**

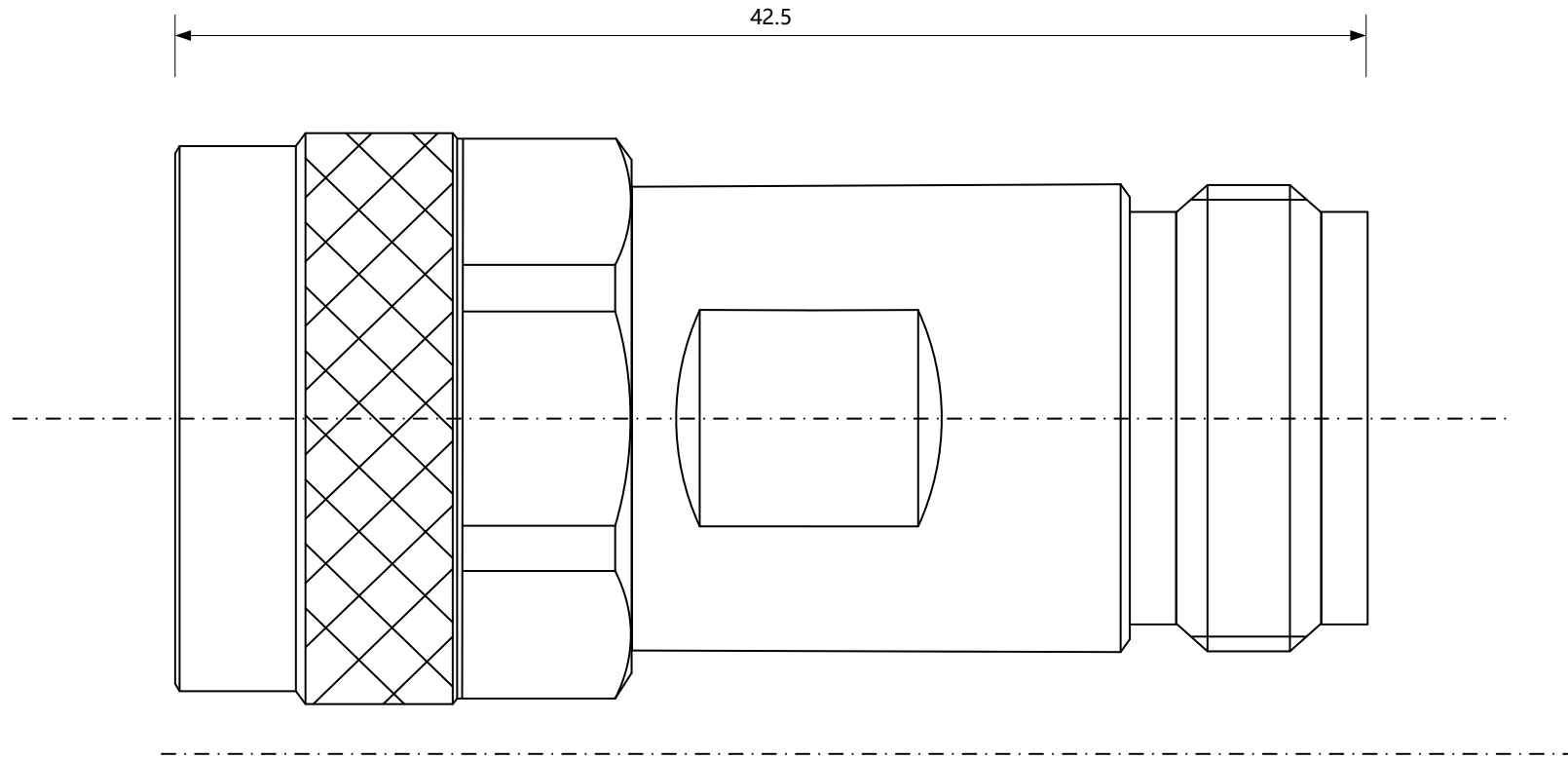
- (1) Inner Conductor: Beryllium Bronze/Gold PLated;
- (2) Insulator: PEI;
- (3) Outer conductor: Stainless Steel/Passivation.

**Mechanc (Shanghai) Information Technology Co., Ltd.**




[www.mechanc.com](http://www.mechanc.com)

[sales@mechanc.com](mailto:sales@mechanc.com)



Part Number	Length	Frequency Range	Insertion Loss	VSWR	Impedance
N-JK1	42.5 mm	18 GHz	≤0.15dB @ 18 GHz	VSWR≤1.09 @ 18 GHz	50 Ω

**Electrical, Mechanical and Environmental Characteristics:**

- (1) Voltage Withstand: ≥500 V;
- (2) Insulation Resistance: ≥5000 MΩ;
- (3) Durability: ≥500 Times;
- (4) Operating Temperature Range: -55°C ~ +165°C.

**Material Type:**

- (1) Inner Conductor: Beryllium Bronze/Gold PLated;
- (2) Insulator: PEI;
- (3) Outer conductor: Stainless Steel/Passivation.

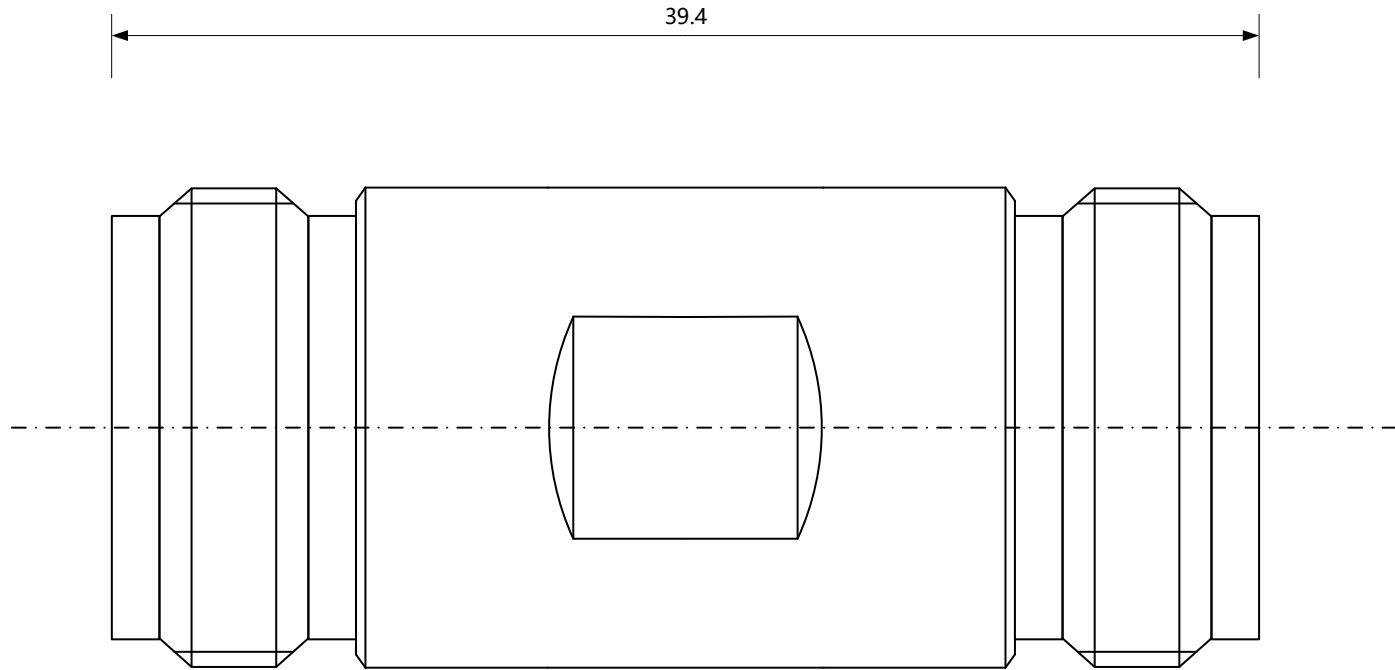
Mechanc (Shanghai) Information Technology Co., Ltd.




www.mechanc.com

sales@mechanc.com





Part Number	Length	Frequency Range	Insertion Loss	VSWR	Impedance
N-KK1	39.4 mm	18 GHz	≤0.15dB @ 18 GHz	VSWR≤1.09 @ 18 GHz	50 Ω

**Electrical, Mechanical and Environmental Characteristics:**

- (1) Voltage Withstand: ≥500 V;
- (2) Insulation Resistance: ≥5000 MΩ;
- (3) Durability: ≥500 Times;
- (4) Operating Temperature Range: -55°C ~ +165°C.

**Material Type:**

- (1) Inner Conductor: Beryllium Bronze/Gold PLated;
- (2) Insulator: PEI;
- (3) Outer conductor: Stainless Steel/Passivation.

**Mechanc (Shanghai) Information Technology Co., Ltd.**




[www.mechanc.com](http://www.mechanc.com)

[sales@mechanc.com](mailto:sales@mechanc.com)