

Part Number	Length	Frequency Range	Insertion Loss	VSWR	Impedance
1.85/1.0-JJ1	25.3 mm	67 GHz	≤0.5dB @ 67 GHz	VSWR≤1.3 @ 67 GHz	50 Ω

**Electrical, Mechanical and Environmental Characteristics:**

- (1) Voltage Withstand: ≥500 V;
- (2) Insulation Resistance: ≥5000 MΩ;
- (3) Durability: ≥500 Times;
- (4) Operating Temperature Range: -55°C ~ +165°C.

**Material Type:**

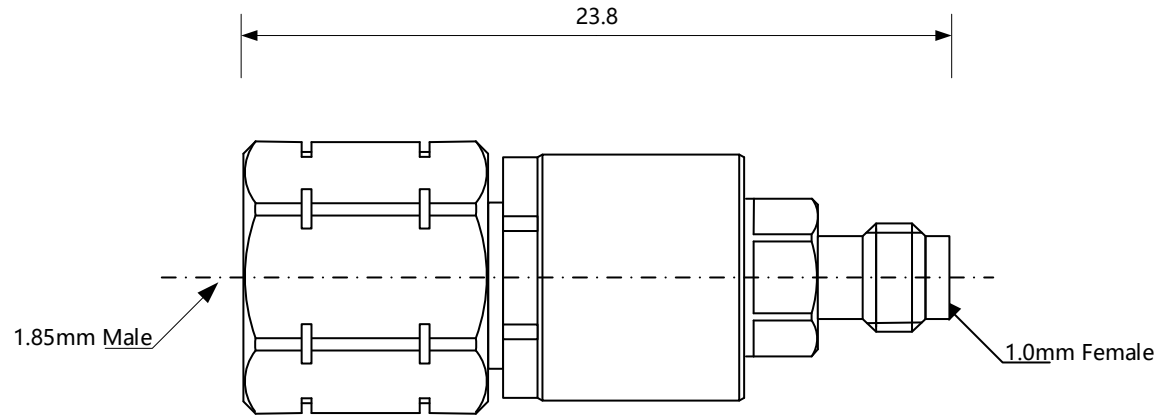
- (1) Inner Conductor: Beryllium Bronze/Gold PLated;
- (2) Insulator: PEI;
- (3) Outer conductor: Stainless Steel/Passivation.

Mechanc (Shanghai) Information Technology Co., Ltd.




[www.mechanc.com](http://www.mechanc.com)

[sales@mechanc.com](mailto:sales@mechanc.com)



Part Number	Length	Frequency Range	Insertion Loss	VSWR	Impedance
1.85/1.0-JK1	23.8 mm	67 GHz	≤0.5dB @ 67 GHz	VSWR≤1.3 @ 67 GHz	50 Ω

**Electrical, Mechanical and Environmental Characteristics:**

- (1) Voltage Withstand: ≥500 V;
- (2) Insulation Resistance: ≥5000 MΩ;
- (3) Durability: ≥500 Times;
- (4) Operating Temperature Range: -55°C ~ +165°C.

**Material Type:**

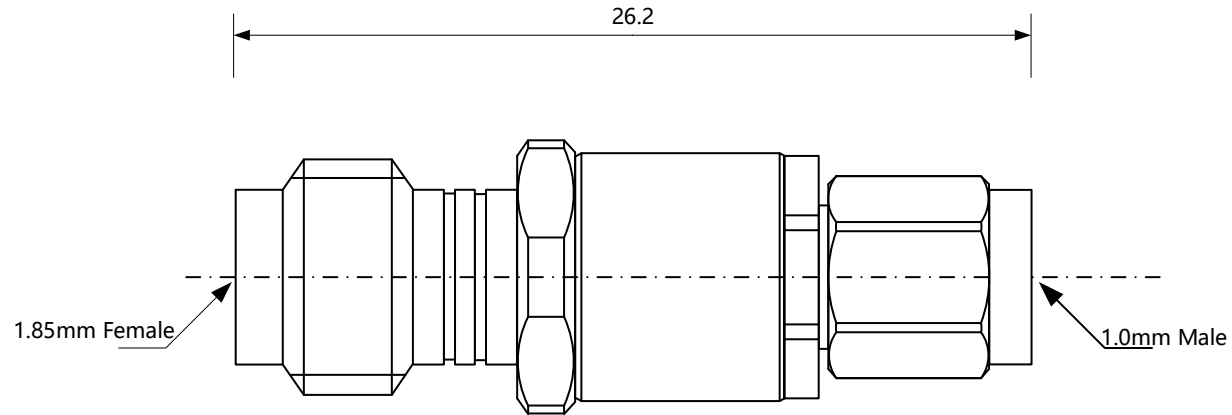
- (1) Inner Conductor: Beryllium Bronze/Gold PLated;
- (2) Insulator: PEI;
- (3) Outer conductor: Stainless Steel/Passivation.

Mechanc (Shanghai) Information Technology Co., Ltd.




[www.mechanc.com](http://www.mechanc.com)

[sales@mechanc.com](mailto:sales@mechanc.com)



Part Number	Length	Frequency Range	Insertion Loss	VSWR	Impedance
1.85/1.0-KJ1	26.2 mm	67 GHz	≤0.5dB @ 67 GHz	VSWR≤1.3 @ 67 GHz	50 Ω

**Electrical, Mechanical and Environmental Characteristics:**

- (1) Voltage Withstand: ≥500 V;
- (2) Insulation Resistance: ≥5000 MΩ;
- (3) Durability: ≥500 Times;
- (4) Operating Temperature Range: -55°C ~ +165°C.

**Material Type:**

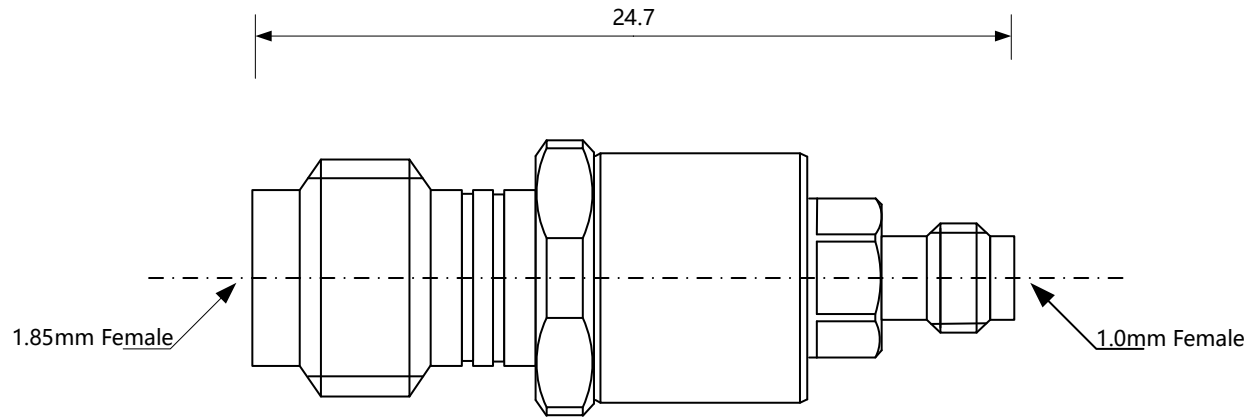
- (1) Inner Conductor: Beryllium Bronze/Gold PLated;
- (2) Insulator: PEI;
- (3) Outer conductor: Stainless Steel/Passivation.

Mechanc (Shanghai) Information Technology Co., Ltd.




[www.mechanc.com](http://www.mechanc.com)

[sales@mechanc.com](mailto:sales@mechanc.com)



Part Number	Length	Frequency Range	Insertion Loss	VSWR	Impedance
1.85/1.0-KK1	24.7 mm	67 GHz	≤0.5dB @ 67 GHz	VSWR≤1.3 @ 67 GHz	50 Ω

**Electrical, Mechanical and Environmental Characteristics:**

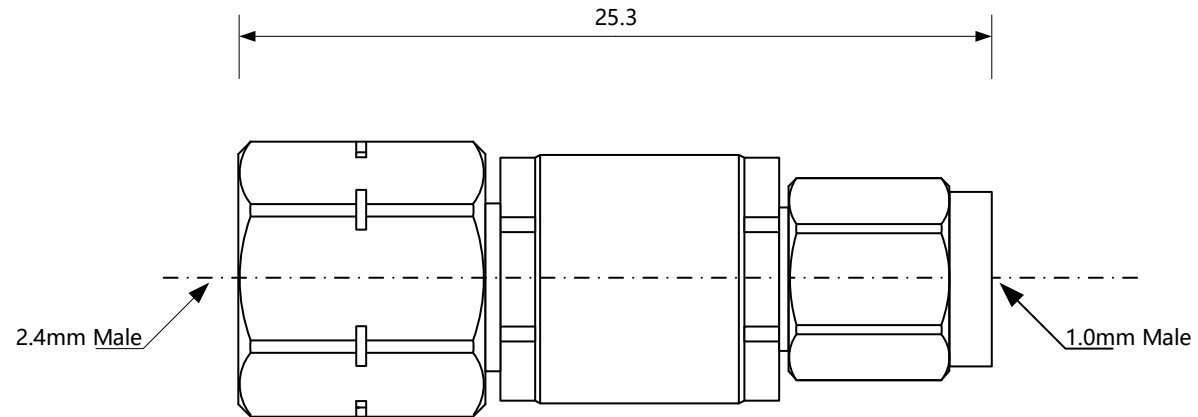
- (1) Voltage Withstand: ≥500 V;
- (2) Insulation Resistance: ≥5000 MΩ;
- (3) Durability: ≥500 Times;
- (4) Operating Temperature Range: -55°C ~ +165°C.

**Material Type:**

- (1) Inner Conductor: Beryllium Bronze/Gold PLated;
- (2) Insulator: PEI;
- (3) Outer conductor: Stainless Steel/Passivation.

Mechanc (Shanghai) Information Technology Co., Ltd.



Part Number	Length	Frequency Range	Insertion Loss	VSWR	Impedance
2.4/1.0-JJ1	25.3 mm	50 GHz	$\leq 0.4\text{dB}@50\text{GHz}$	$\text{VSWR} \leq 1.2 @ 50 \text{ GHz}$	50 $\Omega$

**Electrical, Mechanical and Environmental Characteristics:**

- (1) Voltage Withstand:  $\geq 500 \text{ V}$ ;
- (2) Insulation Resistance:  $\geq 5000 \text{ M}\Omega$ ;
- (3) Durability:  $\geq 500$  Times;
- (4) Operating Temperature Range:  $-55^\circ\text{C} \sim +165^\circ\text{C}$ .

**Material Type:**

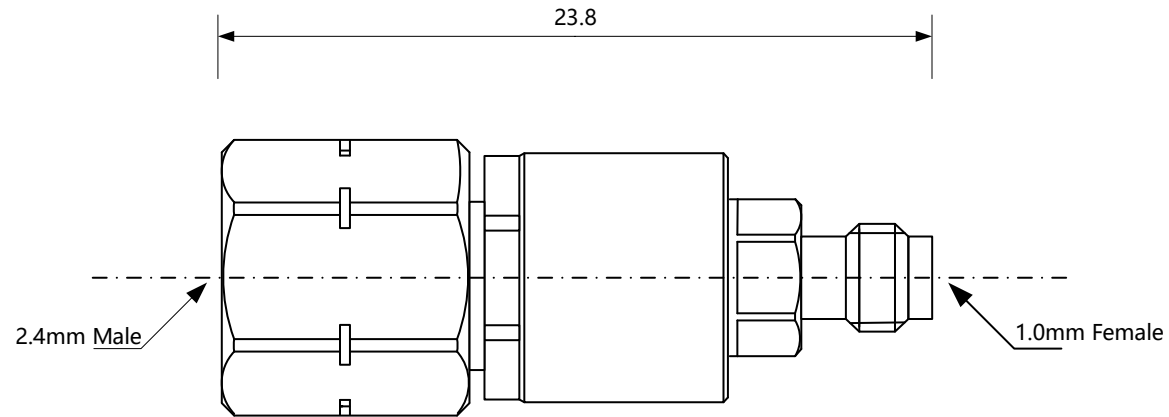
- (1) Inner Conductor: Beryllium Bronze/Gold PLated;
- (2) Insulator: PEI;
- (3) Outer conductor: Stainless Steel/Passivation.

Mechanc (Shanghai) Information Technology Co., Ltd.




[www.mechanc.com](http://www.mechanc.com)

[sales@mechanc.com](mailto:sales@mechanc.com)



Part Number	Length	Frequency Range	Insertion Loss	VSWR	Impedance
2.4/1.0-JK1	23.8 mm	50 GHz	≤0.4dB@50GHz	VSWR≤1.2 @ 50 GHz	50 Ω

**Electrical, Mechanical and Environmental Characteristics:**

- (1) Voltage Withstand: ≥500 V;
- (2) Insulation Resistance: ≥5000 MΩ;
- (3) Durability: ≥500 Times;
- (4) Operating Temperature Range: -55°C ~ +165°C.

**Material Type:**

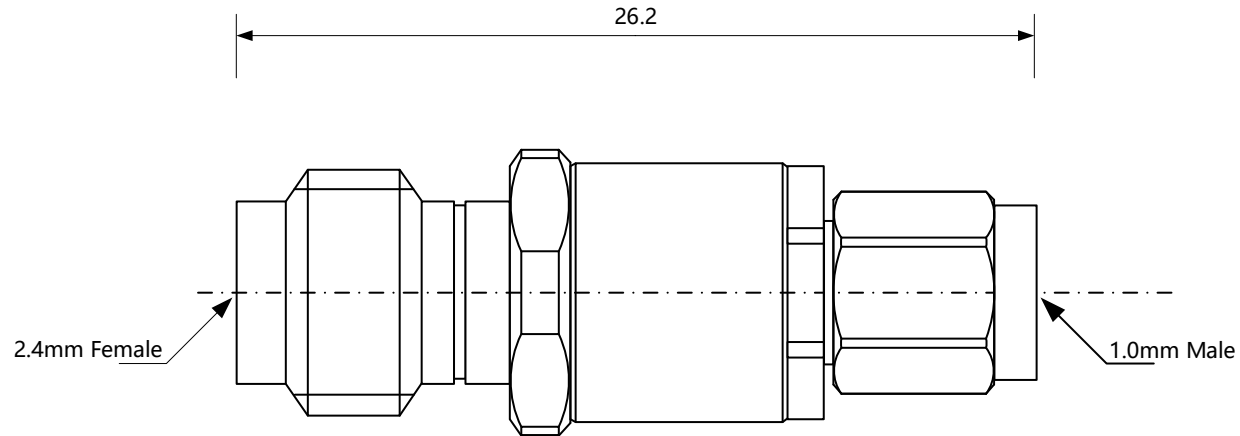
- (1) Inner Conductor: Beryllium Bronze/Gold PLated;
- (2) Insulator: PEI;
- (3) Outer conductor: Stainless Steel/Passivation.

Mechanc (Shanghai) Information Technology Co., Ltd.




[www.mechanc.com](http://www.mechanc.com)

[sales@mechanc.com](mailto:sales@mechanc.com)



Part Number	Length	Frequency Range	Insertion Loss	VSWR	Impedance
2.4/1.0-KJ1	26.2 mm	50 GHz	≤0.4dB@50GHz	VSWR≤1.2 @ 50 GHz	50 Ω

**Electrical, Mechanical and Environmental Characteristics:**

- (1) Voltage Withstand: ≥500 V;
- (2) Insulation Resistance: ≥5000 MΩ;
- (3) Durability: ≥500 Times;
- (4) Operating Temperature Range: -55°C ~ +165°C.

**Material Type:**

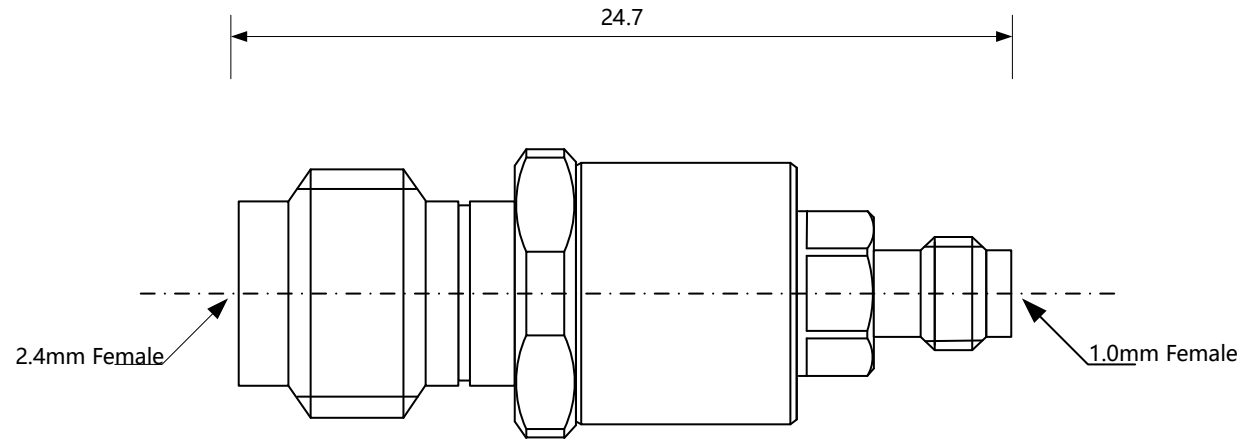
- (1) Inner Conductor: Beryllium Bronze/Gold PLated;
- (2) Insulator: PEI;
- (3) Outer conductor: Stainless Steel/Passivation.

Mechanc (Shanghai) Information Technology Co., Ltd.




www.mechanc.com

sales@mechanc.com



Part Number	Length	Frequency Range	Insertion Loss	VSWR	Impedance
2.4/1.0-KK1	24.7 mm	50 GHz	$\leq 0.4\text{dB}@50\text{GHz}$	$\text{VSWR} \leq 1.2 @ 50 \text{ GHz}$	50 $\Omega$

**Electrical, Mechanical and Environmental Characteristics:**

- (1) Voltage Withstand:  $\geq 500 \text{ V}$ ;
- (2) Insulation Resistance:  $\geq 5000 \text{ M}\Omega$ ;
- (3) Durability:  $\geq 500$  Times;
- (4) Operating Temperature Range:  $-55^\circ\text{C} \sim +165^\circ\text{C}$ .

**Material Type:**

- (1) Inner Conductor: Beryllium Bronze/Gold PLated;
- (2) Insulator: PEI;
- (3) Outer conductor: Stainless Steel/Passivation.

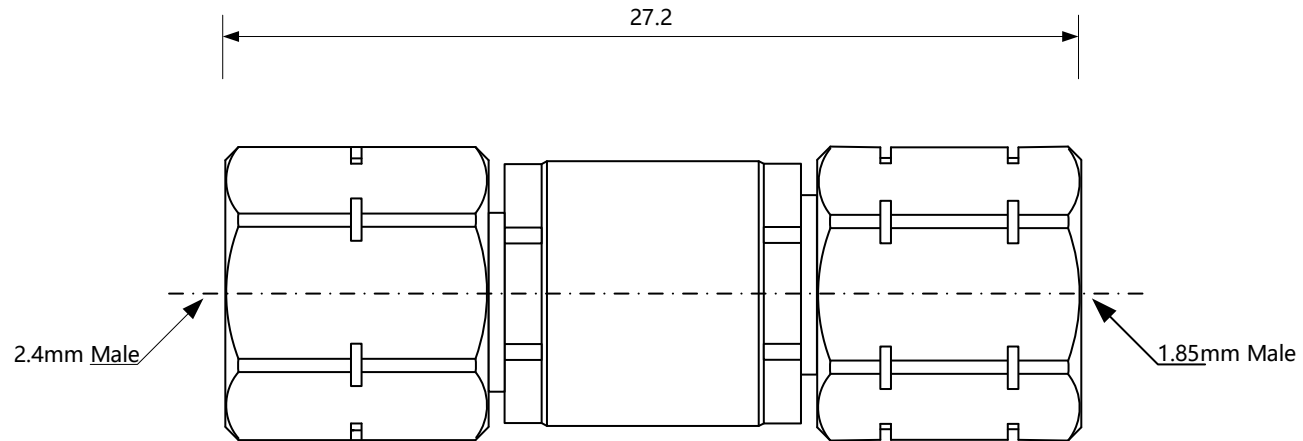
Mechanc (Shanghai) Information Technology Co., Ltd.




[www.mechanc.com](http://www.mechanc.com)

[sales@mechanc.com](mailto:sales@mechanc.com)





Part Number	Length	Frequency Range	Insertion Loss	VSWR	Impedance
2.4/1.85-JJ1	27.2 mm	50 GHz	$\leq 0.4\text{dB}@50\text{GHz}$	$\text{VSWR} \leq 1.15 @ 50 \text{ GHz}$	50 $\Omega$

**Electrical, Mechanical and Environmental Characteristics:**

- (1) Voltage Withstand:  $\geq 500 \text{ V}$ ;
- (2) Insulation Resistance:  $\geq 5000 \text{ M}\Omega$ ;
- (3) Durability:  $\geq 500$  Times;
- (4) Operating Temperature Range:  $-55^\circ\text{C} \sim +165^\circ\text{C}$ .

**Material Type:**

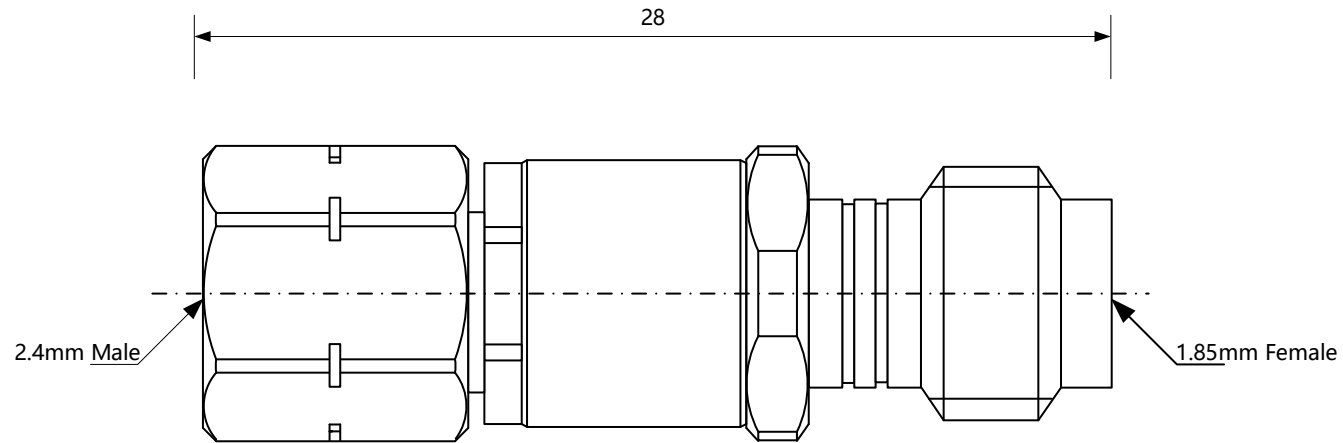
- (1) Inner Conductor: Beryllium Bronze/Gold PLated;
- (2) Insulator: PEI;
- (3) Outer conductor: Stainless Steel/Passivation.

Mechanc (Shanghai) Information Technology Co., Ltd.




[www.mechanc.com](http://www.mechanc.com)

[sales@mechanc.com](mailto:sales@mechanc.com)



Part Number	Length	Frequency Range	Insertion Loss	VSWR	Impedance
2.4/1.85-JK1	28 mm	50 GHz	≤0.4dB@50GHz	VSWR≤1.15 @ 50 GHz	50 Ω

**Electrical, Mechanical and Environmental Characteristics:**

- (1) Voltage Withstand: ≥500 V;
- (2) Insulation Resistance: ≥5000 MΩ;
- (3) Durability: ≥500 Times;
- (4) Operating Temperature Range: -55°C ~ +165°C.

**Material Type:**

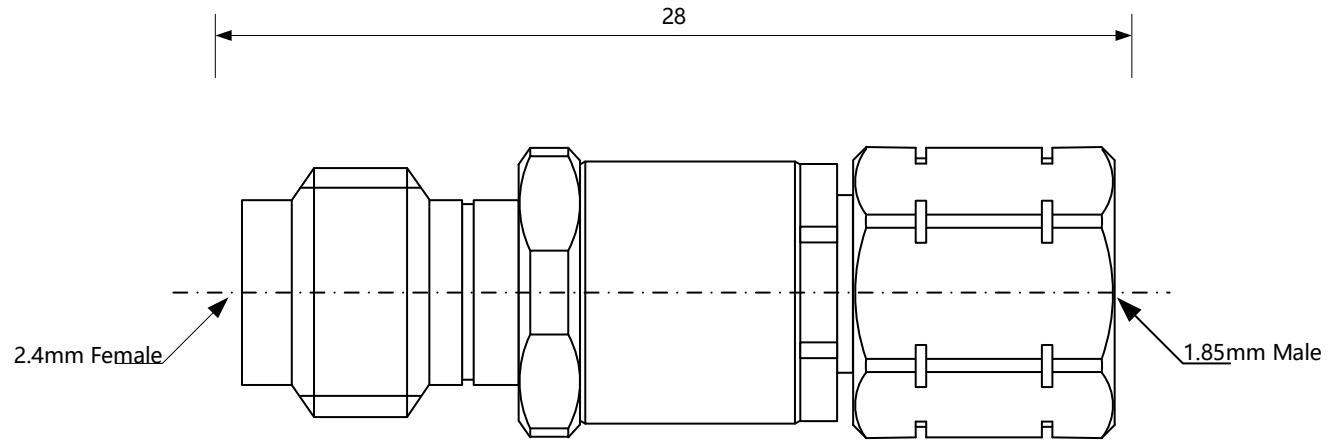
- (1) Inner Conductor: Beryllium Bronze/Gold PLated;
- (2) Insulator: PEI;
- (3) Outer conductor: Stainless Steel/Passivation.

Mechanc (Shanghai) Information Technology Co., Ltd.




[www.mechanc.com](http://www.mechanc.com)

[sales@mechanc.com](mailto:sales@mechanc.com)



Part Number	Length	Frequency Range	Insertion Loss	VSWR	Impedance
2.4/1.85-KJ1	28 mm	50 GHz	≤0.4dB@50GHz	VSWR≤1.15 @ 50 GHz	50 Ω

**Electrical, Mechanical and Environmental Characteristics:**

- (1) Voltage Withstand: ≥500 V;
- (2) Insulation Resistance: ≥5000 MΩ;
- (3) Durability: ≥500 Times;
- (4) Operating Temperature Range: -55°C ~ +165°C.

**Material Type:**

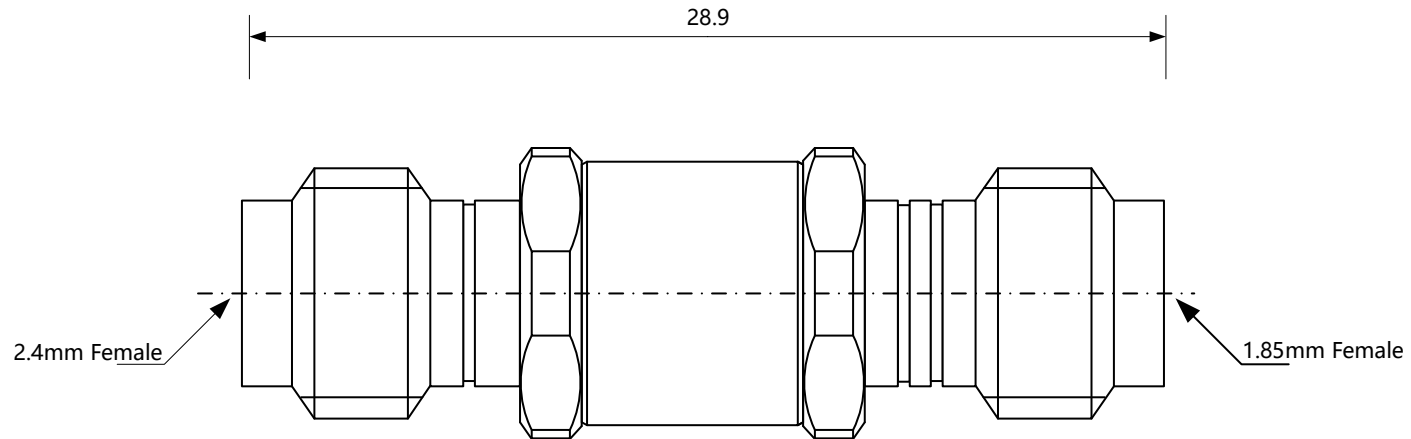
- (1) Inner Conductor: Beryllium Bronze/Gold PLated;
- (2) Insulator: PEI;
- (3) Outer conductor: Stainless Steel/Passivation.

Mechanc (Shanghai) Information Technology Co., Ltd.




[www.mechanc.com](http://www.mechanc.com)

[sales@mechanc.com](mailto:sales@mechanc.com)



Part Number	Length	Frequency Range	Insertion Loss	VSWR	Impedance
2.4/1.85-KK1	28.9 mm	50 GHz	≤0.4dB@50GHz	VSWR≤1.15 @ 50 GHz	50 Ω

**Electrical, Mechanical and Environmental Characteristics:**

- (1) Voltage Withstand: ≥500 V;
- (2) Insulation Resistance: ≥5000 MΩ;
- (3) Durability: ≥500 Times;
- (4) Operating Temperature Range: -55°C ~ +165°C.

**Material Type:**

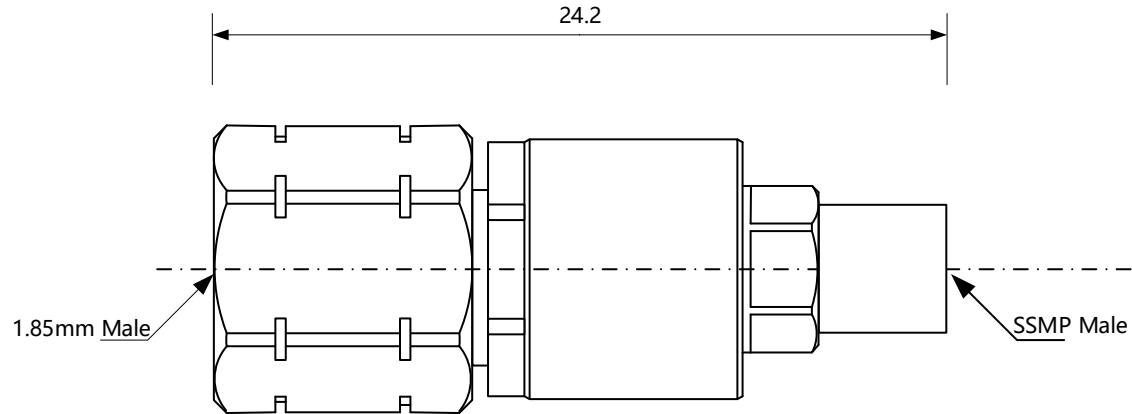
- (1) Inner Conductor: Beryllium Bronze/Gold PLated;
- (2) Insulator: PEI;
- (3) Outer conductor: Stainless Steel/Passivation.

Mechanc (Shanghai) Information Technology Co., Ltd.




[www.mechanc.com](http://www.mechanc.com)

[sales@mechanc.com](mailto:sales@mechanc.com)



Part Number	Length	Frequency Range	Insertion Loss	VSWR	Impedance
1.85/SSMP-JJ1	24.2 mm	67 GHz	≤0.5dB @ 67 GHz	VSWR≤1.35 @ 67 GHz	50 Ω

**Electrical, Mechanical and Environmental Characteristics:**

- (1) Voltage Withstand: ≥500 V;
- (2) Insulation Resistance: ≥5000 MΩ;
- (3) Durability: ≥500 Times;
- (4) Operating Temperature Range: -55°C ~ +165°C.

**Material Type:**

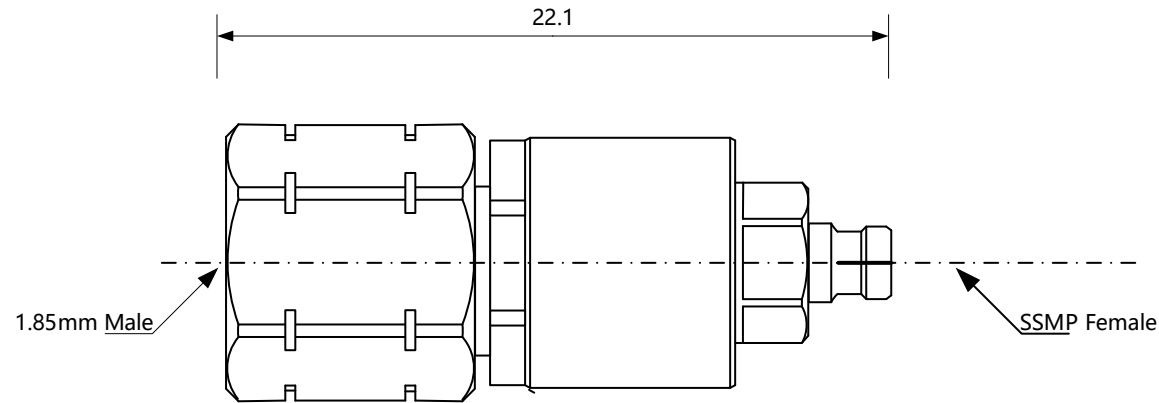
- (1) Inner Conductor: Beryllium Bronze/Gold PLated;
- (2) Insulator: PEI;
- (3) Outer conductor: Stainless Steel/Passivation.

Mechanc (Shanghai) Information Technology Co., Ltd.




[www.mechanc.com](http://www.mechanc.com)

[sales@mechanc.com](mailto:sales@mechanc.com)



Part Number	Length	Frequency Range	Insertion Loss	VSWR	Impedance
1.85/SSMP-JK1	22.1 mm	67 GHz	≤0.5dB @ 67 GHz	VSWR≤1.35 @ 67 GHz	50 Ω

**Electrical, Mechanical and Environmental Characteristics:**

- (1) Voltage Withstand: ≥500 V;
- (2) Insulation Resistance: ≥5000 MΩ;
- (3) Durability: ≥500 Times;
- (4) Operating Temperature Range: -55°C ~ +165°C.

**Material Type:**

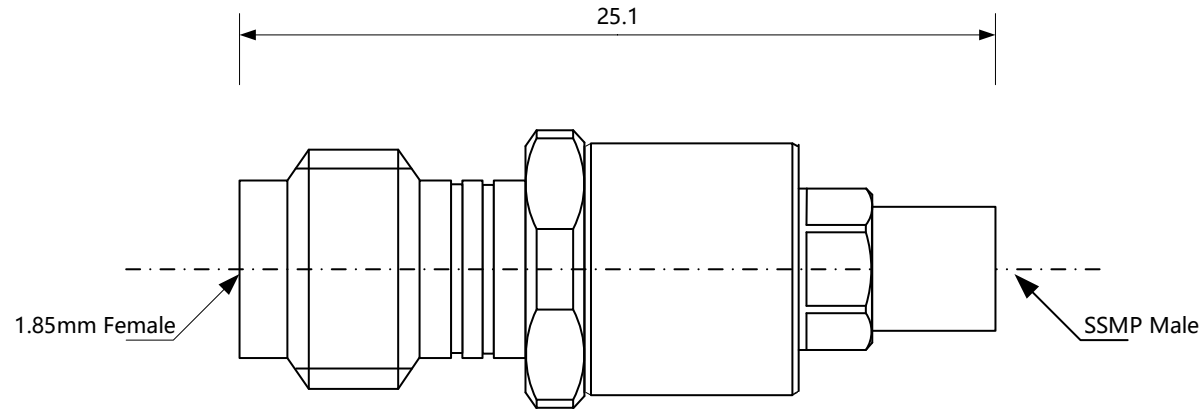
- (1) Inner Conductor: Beryllium Bronze/Gold PLated;
- (2) Insulator: PEI;
- (3) Outer conductor: Stainless Steel/Passivation, Beryllium Bronze/Gold PLatEd.

Mechanc (Shanghai) Information Technology Co., Ltd.




[www.mechanc.com](http://www.mechanc.com)

[sales@mechanc.com](mailto:sales@mechanc.com)



Part Number	Length	Frequency Range	Insertion Loss	VSWR	Impedance
1.85/SSMP-KJ1	25.1 mm	67 GHz	≤0.5dB @ 67 GHz	VSWR≤1.35 @ 67 GHz	50 Ω

**Electrical, Mechanical and Environmental Characteristics:**

- (1) Voltage Withstand: ≥500 V;
- (2) Insulation Resistance: ≥5000 MΩ;
- (3) Durability: ≥500 Times;
- (4) Operating Temperature Range: -55°C ~ +165°C.

**Material Type:**

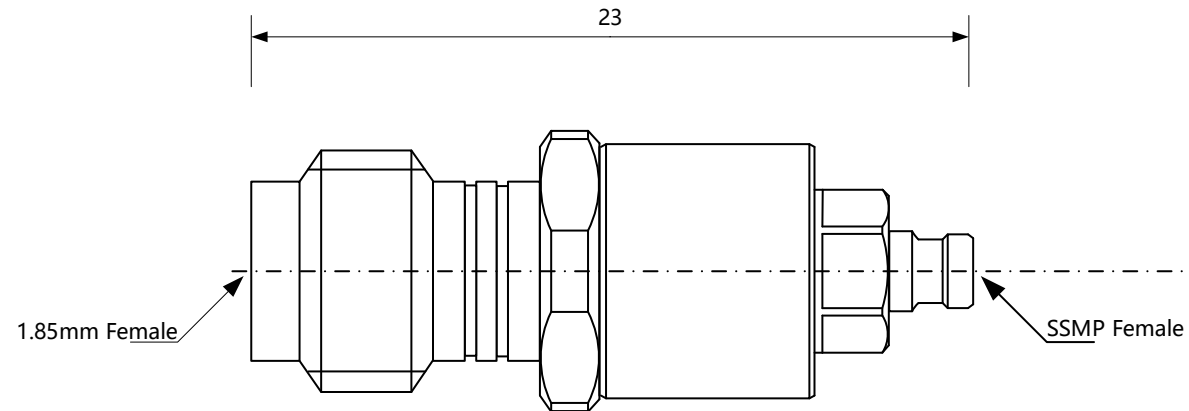
- (1) Inner Conductor: Beryllium Bronze/Gold PLated;
- (2) Insulator: PEI;
- (3) Outer conductor: Stainless Steel/Passivation.

Mechanc (Shanghai) Information Technology Co., Ltd.




[www.mechanc.com](http://www.mechanc.com)

[sales@mechanc.com](mailto:sales@mechanc.com)



Part Number	Length	Frequency Range	Insertion Loss	VSWR	Impedance
1.85/SSMP-KK1	23 mm	67 GHz	≤0.5dB @ 67 GHz	VSWR≤1.35 @ 67 GHz	50 Ω

**Electrical, Mechanical and Environmental Characteristics:**

- (1) Voltage Withstand: ≥500 V;
- (2) Insulation Resistance: ≥5000 MΩ;
- (3) Durability: ≥500 Times;
- (4) Operating Temperature Range: -55°C ~ +165°C.

**Material Type:**

- (1) Inner Conductor: Beryllium Bronze/Gold PLated;
- (2) Insulator: PEI;
- (3) Outer conductor: Stainless Steel/Passivation,  
Beryllium Bronze/Gold PLated

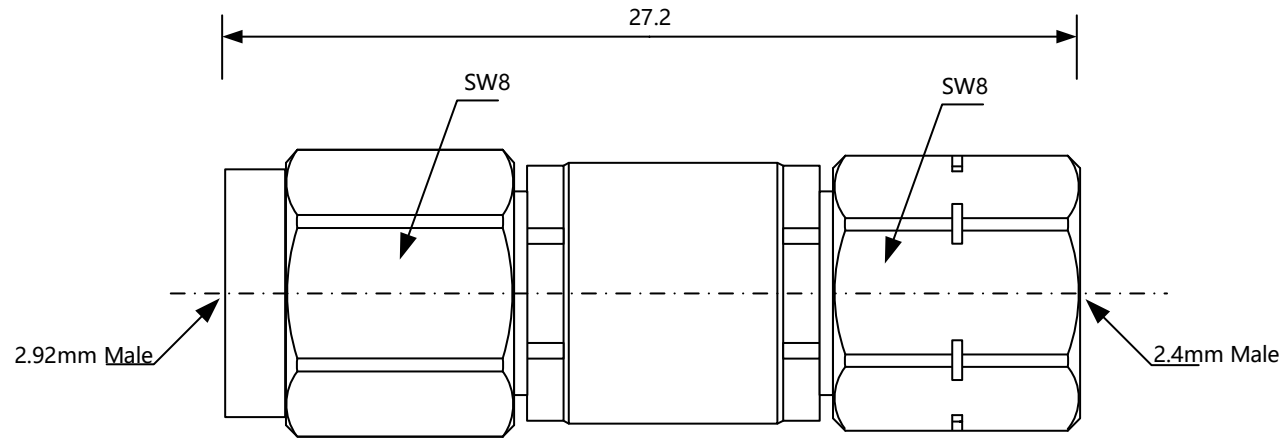
Mechanc (Shanghai) Information Technology Co., Ltd.




[www.mechanc.com](http://www.mechanc.com)

[sales@mechanc.com](mailto:sales@mechanc.com)





Part Number	Length	Frequency Range	Insertion Loss	VSWR	Impedance
2.9/2.4-JJ 1	27.2 mm	40 GHz	$\leq 0.06\sqrt{f}$ dB	VSWR $\leq 1.12$ @ 40 GHz	50 $\Omega$

Electrical, Mechanical and Environmental Characteristics:

- (1) Voltage Withstand:  $\geq 500$  V;
- (2) Insulation Resistance:  $\geq 5000$  M $\Omega$ ;
- (3) Durability:  $\geq 500$  Times;
- (4) Operating Temperature Range:  $-55^{\circ}\text{C} \sim +165^{\circ}\text{C}$ .

Material Type:

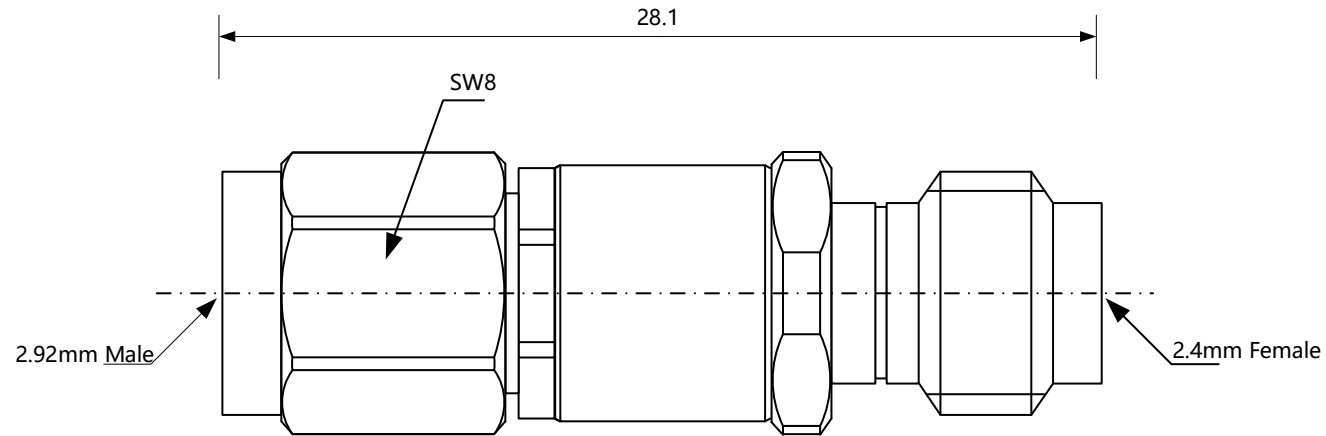
- (1) Inner Conductor: Beryllium Bronze/Gold PLated;
- (2) Insulator: PEI;
- (3) Outer conductor: Stainless Steel/Passivation.

Mechanc (Shanghai) Information Technology Co., Ltd.




[www.mechanc.com](http://www.mechanc.com)

[sales@mechanc.com](mailto:sales@mechanc.com)



Part Number	Length	Frequency Range	Insertion Loss	VSWR	Impedance
2.92/2.4-JK1	28.1 mm	40 GHz	$\leq 0.06\sqrt{f}$ dB	VSWR $\leq 1.12$ @ 40 GHz	50 $\Omega$

**Electrical, Mechanical and Environmental Characteristics:**

- (1) Voltage Withstand:  $\geq 500$  V;
- (2) Insulation Resistance:  $\geq 5000$  M $\Omega$ ;
- (3) Durability:  $\geq 500$  Times;
- (4) Operating Temperature Range:  $-55^{\circ}\text{C} \sim +165^{\circ}\text{C}$ .

**Material Type:**

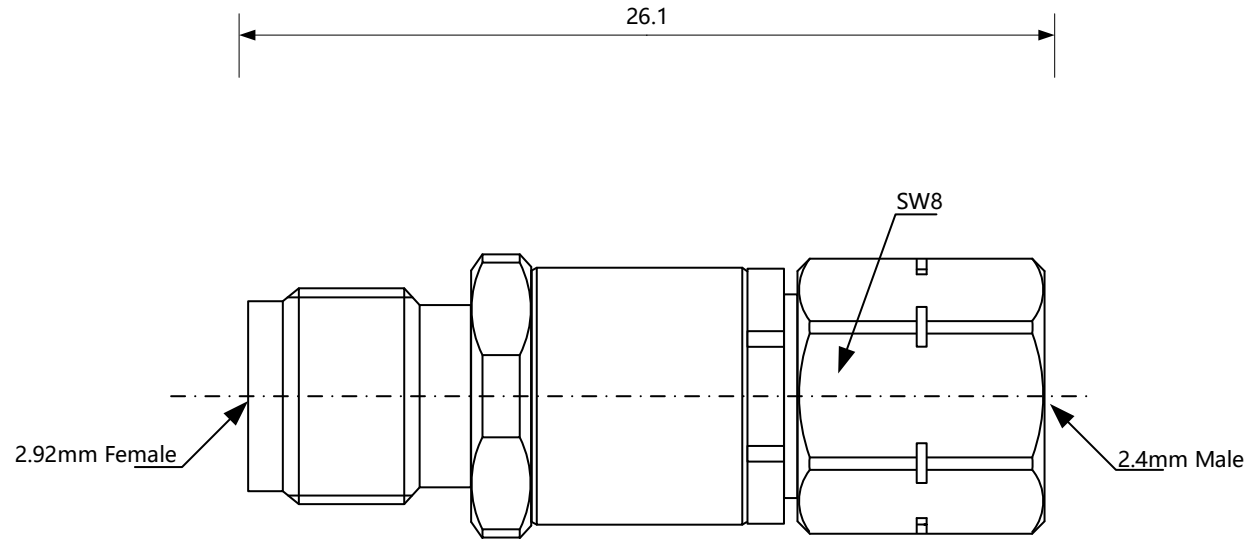
- (1) Inner Conductor: Beryllium Bronze/Gold PLated;
- (2) Insulator: PEI;
- (3) Outer conductor: Stainless Steel/Passivation.

Mechanc (Shanghai) Information Technology Co., Ltd.




[www.mechanc.com](http://www.mechanc.com)

[sales@mechanc.com](mailto:sales@mechanc.com)



Part Number	Length	Frequency Range	Insertion Loss	VSWR	Impedance
2.9/2.4-KJ1	26.1 mm	40 GHz	$\leq 0.06\sqrt{f}$ dB	VSWR $\leq 1.12$ @ 40 GHz	50 $\Omega$

**Electrical, Mechanical and Environmental Characteristics:**

- (1) Voltage Withstand:  $\geq 500$  V;
- (2) Insulation Resistance:  $\geq 5000$  M $\Omega$ ;
- (3) Durability:  $\geq 500$  Times;
- (4) Operating Temperature Range:  $-55^{\circ}\text{C} \sim +165^{\circ}\text{C}$ .

**Material Type:**

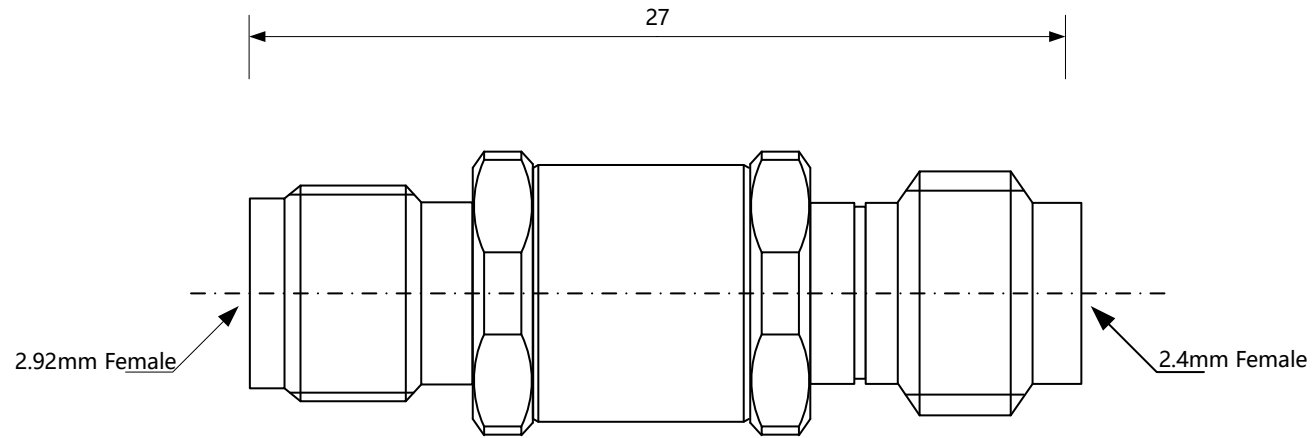
- (1) Inner Conductor: Beryllium Bronze/Gold PLated;
- (2) Insulator: PEI;
- (3) Outer conductor: Stainless Steel/Passivation.

Mechanc (Shanghai) Information Technology Co., Ltd.




[www.mechanc.com](http://www.mechanc.com)

[sales@mechanc.com](mailto:sales@mechanc.com)



Part Number	Length	Frequency Range	Insertion Loss	VSWR	Impedance
2.9/2.4-KK1	27 mm	40 GHz	$\leq 0.06\sqrt{f}$ dB	VSWR $\leq 1.12$ @ 40 GHz	50 $\Omega$

**Electrical, Mechanical and Environmental Characteristics:**

- (1) Voltage Withstand:  $\geq 500$  V;
- (2) Insulation Resistance:  $\geq 5000$  M $\Omega$ ;
- (3) Durability:  $\geq 500$  Times;
- (4) Operating Temperature Range:  $-55^{\circ}\text{C} \sim +165^{\circ}\text{C}$ .

**Material Type:**

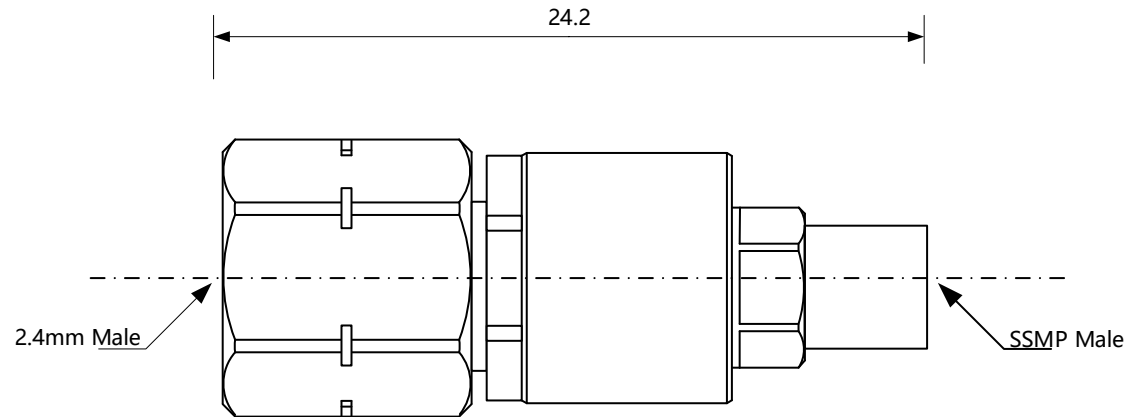
- (1) Inner Conductor: Beryllium Bronze/Gold PLated;
- (2) Insulator: PEI;
- (3) Outer conductor: Stainless Steel/Passivation.

Mechanc (Shanghai) Information Technology Co., Ltd.




[www.mechanc.com](http://www.mechanc.com)

[sales@mechanc.com](mailto:sales@mechanc.com)



Part Number	Length	Frequency Range	Insertion Loss	VSWR	Impedance
2.4/SSMP-JJ1	24.2 mm	50 GHz	≤0.4dB @ 50 GHz	VSWR≤1.25 @ 50 GHz	50 Ω

**Electrical, Mechanical and Environmental Characteristics:**

- (1) Voltage Withstand: ≥500 V;
- (2) Insulation Resistance: ≥5000 MΩ;
- (3) Durability: ≥500 Times;
- (4) Operating Temperature Range: -55°C ~ +165°C.

**Material Type:**

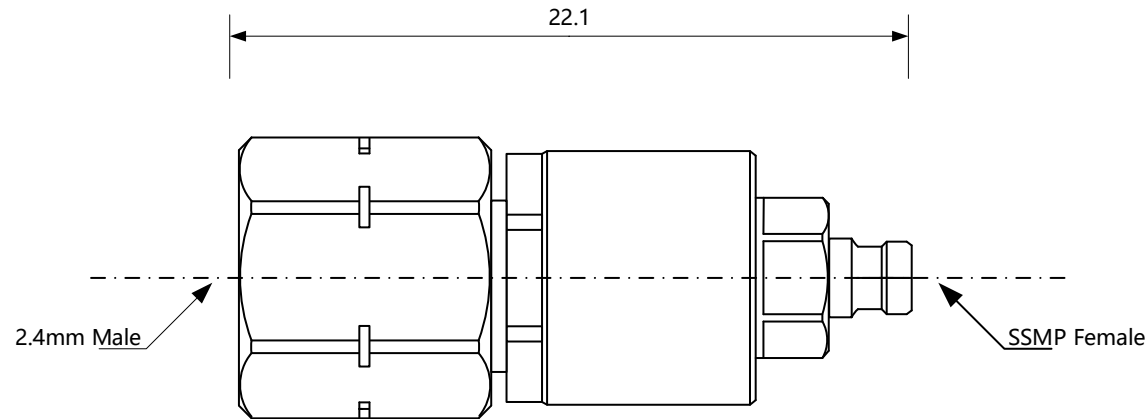
- (1) Inner Conductor: Beryllium Bronze/Gold PLated;
- (2) Insulator: PEI;
- (3) Outer conductor: Stainless Steel/Passivation.

Mechanc (Shanghai) Information Technology Co., Ltd.




www.mechanc.com

sales@mechanc.com



Part Number	Length	Frequency Range	Insertion Loss	VSWR	Impedance
2.4/SSMP-JK1	22.1 mm	50 GHz	≤0.4dB @ 50 GHz	VSWR≤1.25 @ 50 GHz	50 Ω

**Electrical, Mechanical and Environmental Characteristics:**

- (1) Voltage Withstand: ≥500 V;
- (2) Insulation Resistance: ≥5000 MΩ;
- (3) Durability: ≥500 Times;
- (4) Operating Temperature Range: -55°C ~ +165°C.

**Material Type:**

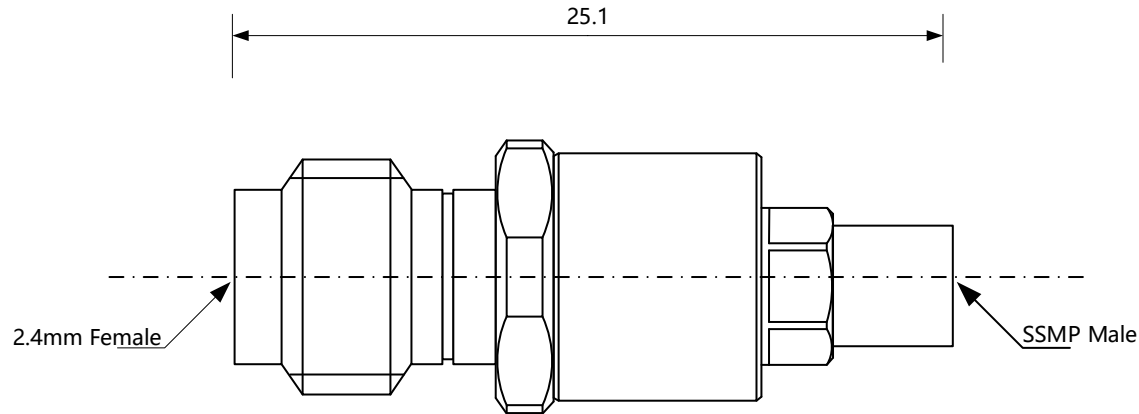
- (1) Inner Conductor: Beryllium Bronze/Gold PLated;
- (2) Insulator: PEI;
- (3) Outer conductor: Stainless Steel/Passivation.

Mechanc (Shanghai) Information Technology Co., Ltd.




www.mechanc.com

sales@mechanc.com



Part Number	Length	Frequency Range	Insertion Loss	VSWR	Impedance
2.4/SSMP-KJ1	25.1 mm	50 GHz	≤0.4dB @ 50 GHz	VSWR≤1.25 @ 50 GHz	50 Ω

**Electrical, Mechanical and Environmental Characteristics:**

- (1) Voltage Withstand: ≥500 V;
- (2) Insulation Resistance: ≥5000 MΩ;
- (3) Durability: ≥500 Times;
- (4) Operating Temperature Range: -55°C ~ +165°C.

**Material Type:**

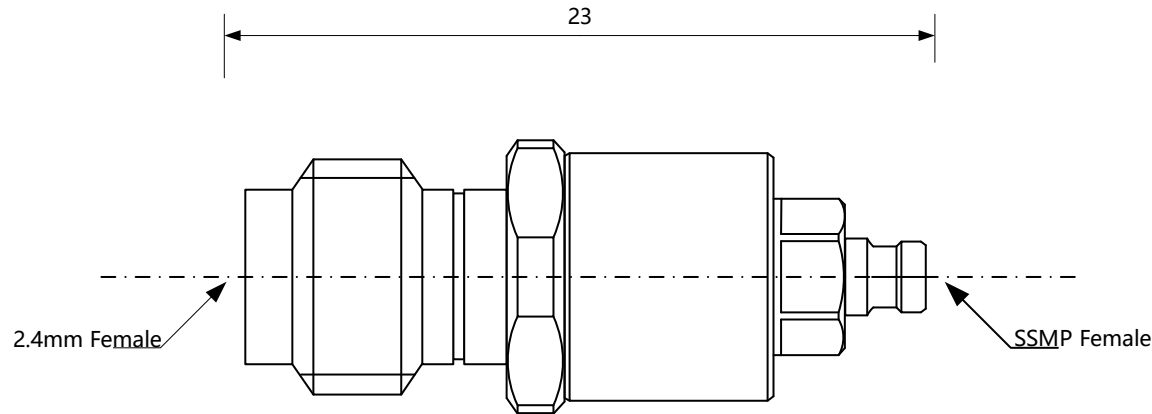
- (1) Inner Conductor: Beryllium Bronze/Gold PLated;
- (2) Insulator: PEI;
- (3) Outer conductor: Stainless Steel/Passivation.

Mechanc (Shanghai) Information Technology Co., Ltd.




[www.mechanc.com](http://www.mechanc.com)

[sales@mechanc.com](mailto:sales@mechanc.com)



Part Number	Length	Frequency Range	Insertion Loss	VSWR	Impedance
2.4/SSMP-KK1	23 mm	50 GHz	≤0.4dB @ 50 GHz	VSWR≤1.25 @ 50 GHz	50 Ω

**Electrical, Mechanical and Environmental Characteristics:**

- (1) Voltage Withstand: ≥500 V;
- (2) Insulation Resistance: ≥5000 MΩ;
- (3) Durability: ≥500 Times;
- (4) Operating Temperature Range: -55°C ~ +165°C.

**Material Type:**

- (1) Inner Conductor: Beryllium Bronze/Gold PLated;
- (2) Insulator: PEI;
- (3) Outer conductor: Stainless Steel/Passivation, Beryllium Bronze/Gold PLatEd.

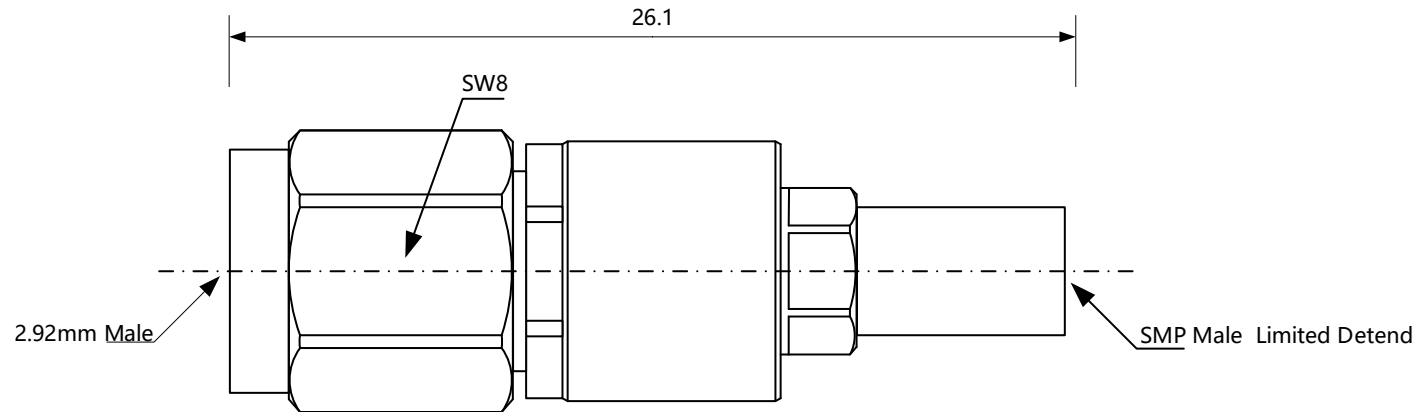
Mechanc (Shanghai) Information Technology Co., Ltd.




[www.mechanc.com](http://www.mechanc.com)

[sales@mechanc.com](mailto:sales@mechanc.com)





Part Number	Length	Frequency Range	Insertion Loss	VSWR	Impedance
2.92/SMP-JJ1	26.1 mm	40 GHz	≤0.35dB @ 40 GHz	VSWR≤1.25 @ 40 GHz	50 Ω

**Electrical, Mechanical and Environmental Characteristics:**

- (1) Voltage Withstand: ≥500 V;
- (2) Insulation Resistance: ≥5000 MΩ;
- (3) Durability: ≥500 Times;
- (4) Operating Temperature Range: -55°C ~ +165°C.

**Material Type:**

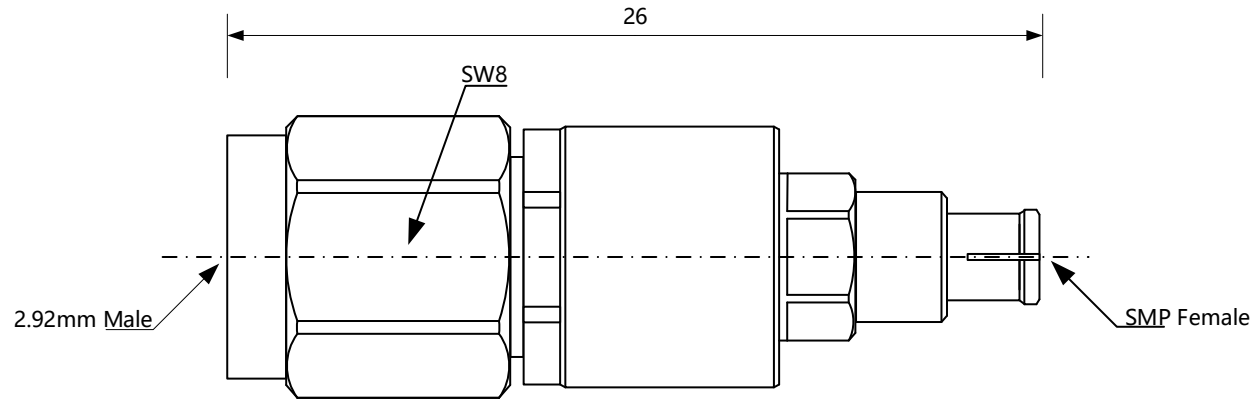
- (1) Inner Conductor: Beryllium Bronze/Gold PLated;
- (2) Insulator: PEI;
- (3) Outer conductor: Stainless Steel/Passivation.

Mechanc (Shanghai) Information Technology Co., Ltd.




[www.mechanc.com](http://www.mechanc.com)

[sales@mechanc.com](mailto:sales@mechanc.com)



Part Number	Length	Frequency Range	Insertion Loss	VSWR	Impedance
2.92/SMP-JK1	26 mm	40 GHz	≤0.35dB @ 40 GHz	VSWR≤1.25 @ 40 GHz	50 Ω

**Electrical, Mechanical and Environmental Characteristics:**

- (1) Voltage Withstand: ≥500 V;
- (2) Insulation Resistance: ≥5000 MΩ;
- (3) Durability: ≥500 Times;
- (4) Operating Temperature Range: -55°C ~ +165°C.

**Material Type:**

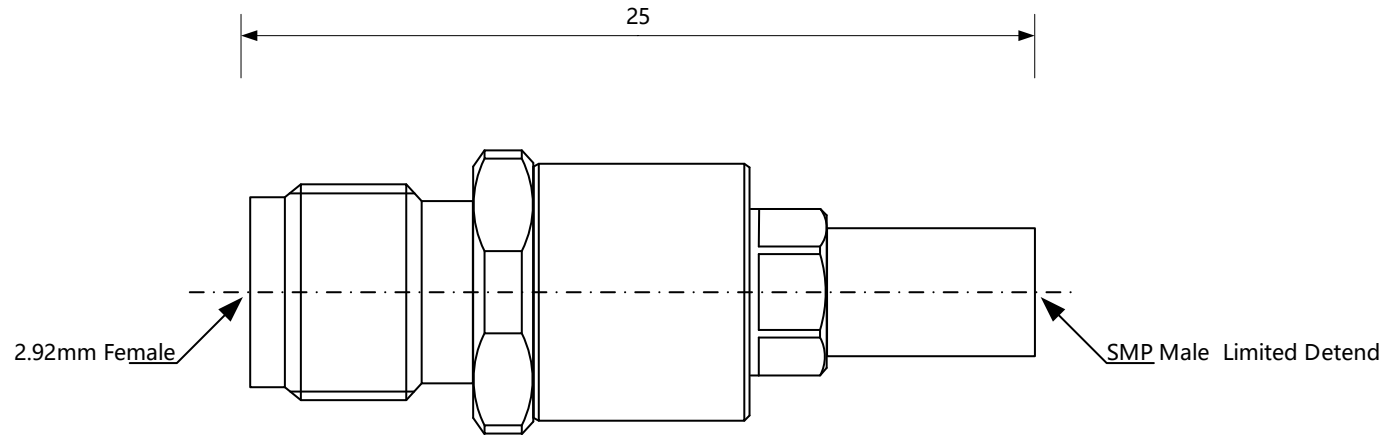
- (1) Inner Conductor: Beryllium Bronze/Gold PLated;
- (2) Insulator: PEI;
- (3) Outer conductor: Stainless Steel/Passivation.

Mechanc (Shanghai) Information Technology Co., Ltd.




www.mechanc.com

sales@mechanc.com



Part Number	Length	Frequency Range	Insertion Loss	VSWR	Impedance
2.92/SMP-KJ1	25 mm	40 GHz	≤0.35dB @ 40 GHz	VSWR≤1.25 @ 40 GHz	50 Ω

**Electrical, Mechanical and Environmental Characteristics:**

- (1) Voltage Withstand: ≥500 V;
- (2) Insulation Resistance: ≥5000 MΩ;
- (3) Durability: ≥500 Times;
- (4) Operating Temperature Range: -55°C ~ +165°C.

**Material Type:**

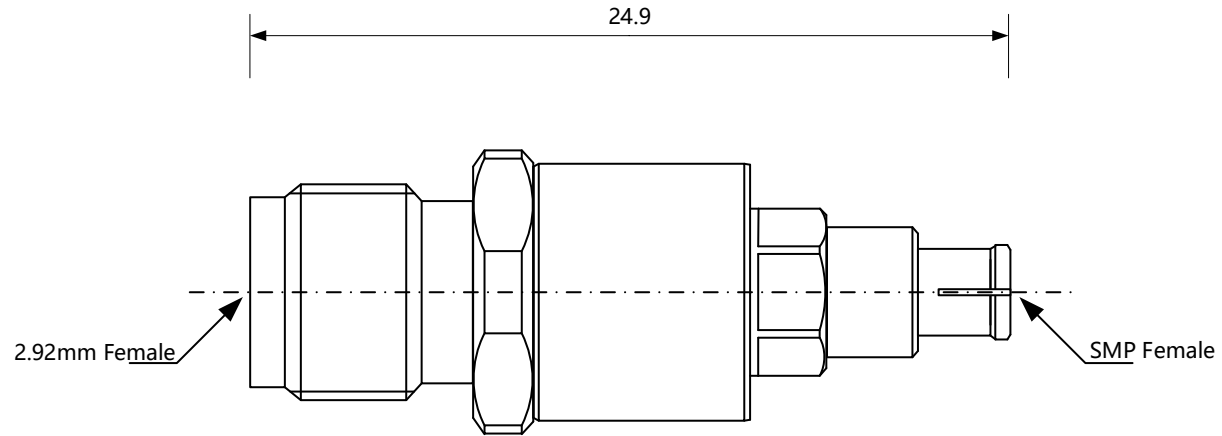
- (1) Inner Conductor: Beryllium Bronze/Gold PLated;
- (2) Insulator: PEI;
- (3) Outer conductor: Stainless Steel/Passivation.

Mechanc (Shanghai) Information Technology Co., Ltd.




[www.mechanc.com](http://www.mechanc.com)

[sales@mechanc.com](mailto:sales@mechanc.com)



Part Number	Length	Frequency Range	Insertion Loss	VSWR	Impedance
2.92/SMP-KK1	24.9 mm	40 GHz	≤0.35dB @ 40 GHz	VSWR≤1.25 @ 40 GHz	50 Ω

**Electrical, Mechanical and Environmental Characteristics:**

- (1) Voltage Withstand: ≥500 V;
- (2) Insulation Resistance: ≥5000 MΩ;
- (3) Durability: ≥500 Times;
- (4) Operating Temperature Range: -55°C ~ +165°C.

**Material Type:**

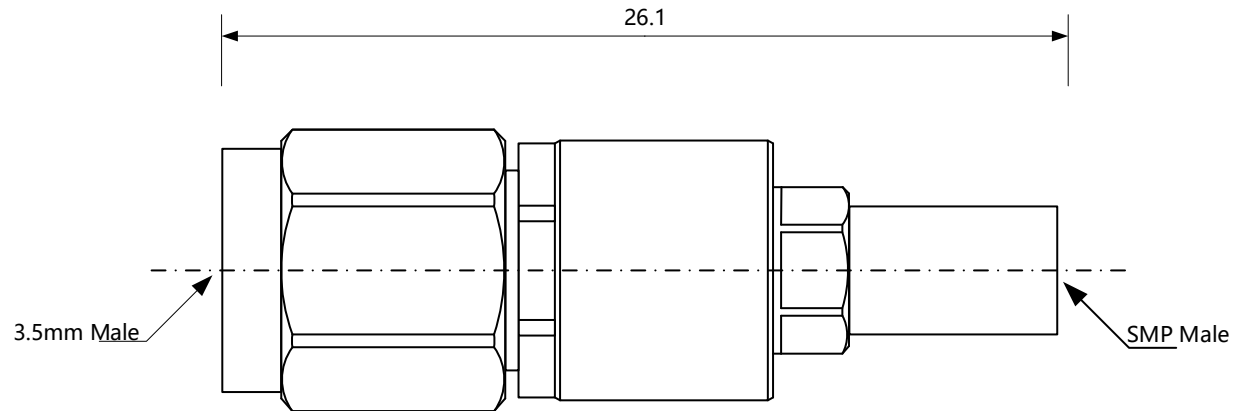
- (1) Inner Conductor: Beryllium Bronze/Gold PLated;
- (2) Insulator: PEI;
- (3) Outer conductor: Stainless Steel/Passivation, Beryllium Bronze/Gold PLatEd.

Mechanc (Shanghai) Information Technology Co., Ltd.




[www.mechanc.com](http://www.mechanc.com)

[sales@mechanc.com](mailto:sales@mechanc.com)



Part Number	Length	Frequency Range	Insertion Loss	VSWR	Impedance
3.5/SMP-JJ1	26.1 mm	26.5 GHz	≤0.25dB @ 26.5 GHz	VSWR≤1.2 @ 26.5 GHz	50 Ω

**Electrical, Mechanical and Environmental Characteristics:**

- (1) Voltage Withstand: ≥500 V;
- (2) Insulation Resistance: ≥5000 MΩ;
- (3) Durability: ≥500 Times;
- (4) Operating Temperature Range: -55°C ~ +165°C.

**Material Type:**

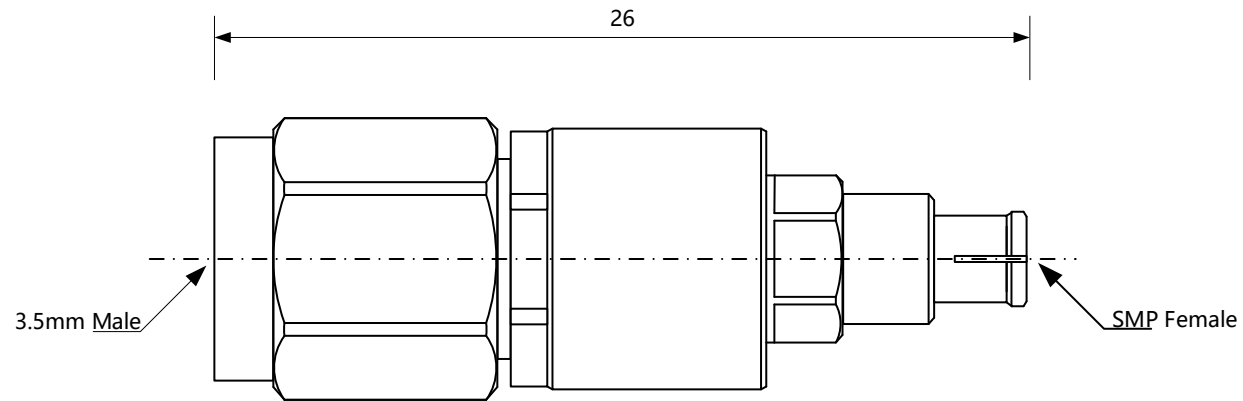
- (1) Inner Conductor: Beryllium Bronze/Gold PLATED;
- (2) Insulator: PEI;
- (3) Outer conductor: Stainless Steel/Passivation.

Mechanc (Shanghai) Information Technology Co., Ltd.




[www.mechanc.com](http://www.mechanc.com)

[sales@mechanc.com](mailto:sales@mechanc.com)



Part Number	Length	Frequency Range	Insertion Loss	VSWR	Impedance
3.5/SMP-JK1	26 mm	26.5 GHz	≤0.25dB @ 26.5 GHz	VSWR≤1.2 @ 26.5 GHz	50 Ω

**Electrical, Mechanical and Environmental Characteristics:**

- (1) Voltage Withstand: ≥500 V;
- (2) Insulation Resistance: ≥5000 MΩ;
- (3) Durability: ≥500 Times;
- (4) Operating Temperature Range: -55°C ~ +165°C.

**Material Type:**

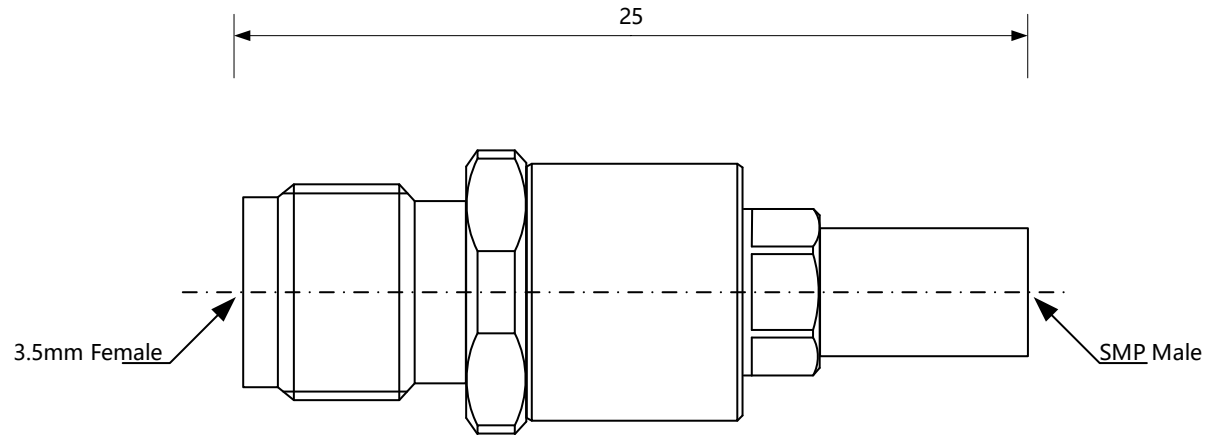
- (1) Inner Conductor: Beryllium Bronze/Gold PLATED;
- (2) Insulator: PEI;
- (3) Outer conductor: Stainless Steel/Passivation.

Mechanc (Shanghai) Information Technology Co., Ltd.




[www.mechanc.com](http://www.mechanc.com)

[sales@mechanc.com](mailto:sales@mechanc.com)



Part Number	Length	Frequency Range	Insertion Loss	VSWR	Impedance
3.5/SMP-KJ1	25 mm	26.5 GHz	≤0.25dB @ 26.5 GHz	VSWR≤1.2 @ 26.5 GHz	50 Ω

**Electrical, Mechanical and Environmental Characteristics:**

- (1) Voltage Withstand: ≥500 V;
- (2) Insulation Resistance: ≥5000 MΩ;
- (3) Durability: ≥500 Times;
- (4) Operating Temperature Range: -55°C ~ +165°C.

**Material Type:**

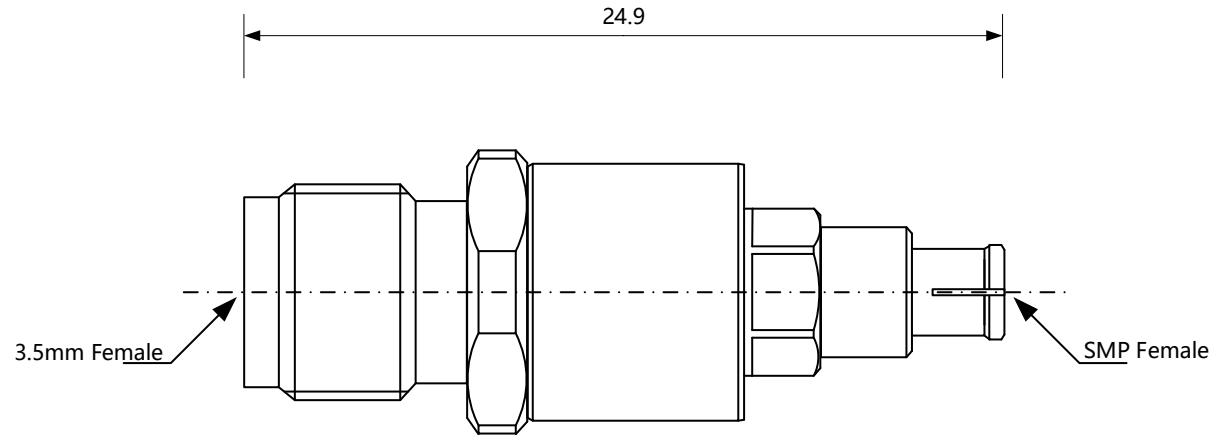
- (1) Inner Conductor: Beryllium Bronze/Gold PLated;
- (2) Insulator: PEI;
- (3) Outer conductor: Stainless Steel/Passivation.

Mechanc (Shanghai) Information Technology Co., Ltd.




www.mechanc.com

sales@mechanc.com



Part Number	Length	Frequency Range	Insertion Loss	VSWR	Impedance
3.5/SMP-KK1	24.9 mm	26.5 GHz	≤0.25dB @ 26.5 GHz	VSWR≤1.2 @ 26.5 GHz	50 Ω

**Electrical, Mechanical and Environmental Characteristics:**

- (1) Voltage Withstand: ≥500 V;
- (2) Insulation Resistance: ≥5000 MΩ;
- (3) Durability: ≥500 Times;
- (4) Operating Temperature Range: -55°C ~ +165°C.

**Material Type:**

- (1) Inner Conductor: Beryllium Bronze/Gold PLated;
- (2) Insulator: PEI;
- (3) Outer conductor: Stainless Steel/Passivation.

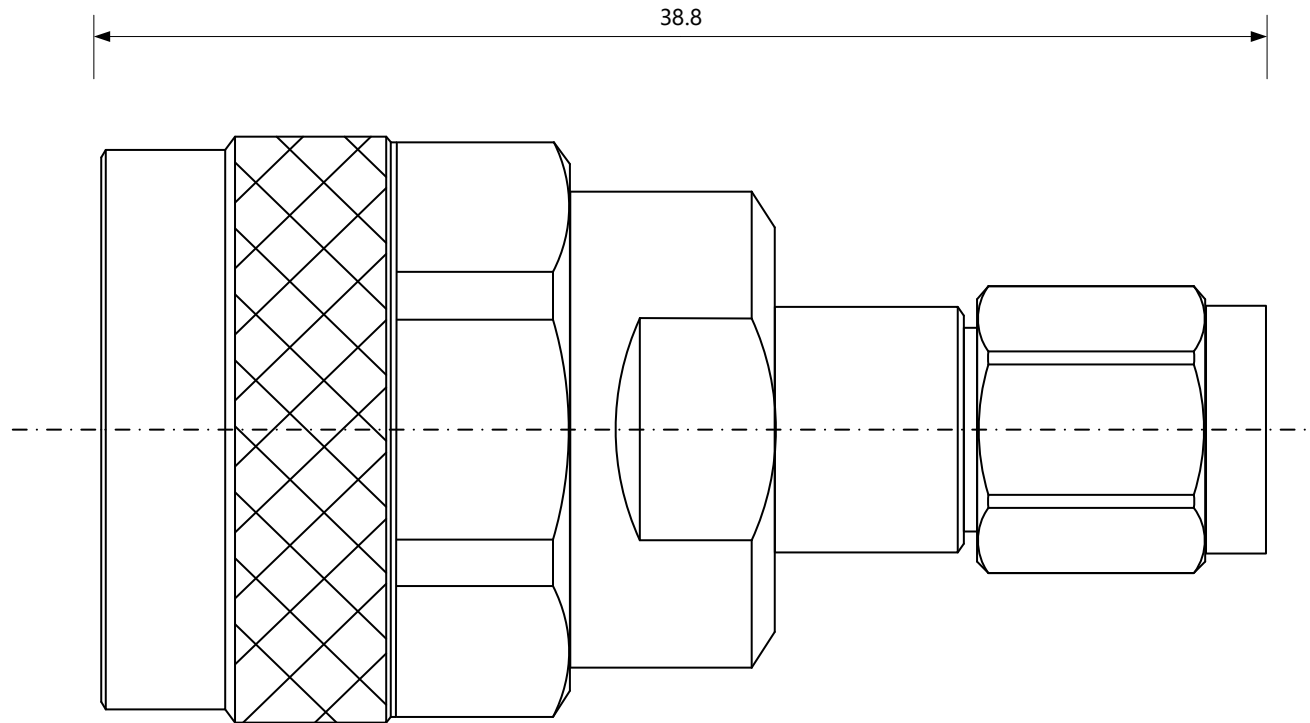
Mechanc (Shanghai) Information Technology Co., Ltd.




[www.mechanc.com](http://www.mechanc.com)

[sales@mechanc.com](mailto:sales@mechanc.com)





Part Number	Length	Frequency Range	Insertion Loss	VSWR	Impedance
N/SMA-JJ1	38.8 mm	18 GHz	≤0.15dB @ 18 GHz	VSWR≤1.15 @ 18 GHz	50 Ω

**Electrical, Mechanical and Environmental Characteristics:**

- (1) Voltage Withstand: ≥500 V;
- (2) Insulation Resistance: ≥5000 MΩ;
- (3) Durability: ≥500 Times;
- (4) Operating Temperature Range: -55°C ~ +165°C.

**Material Type:**

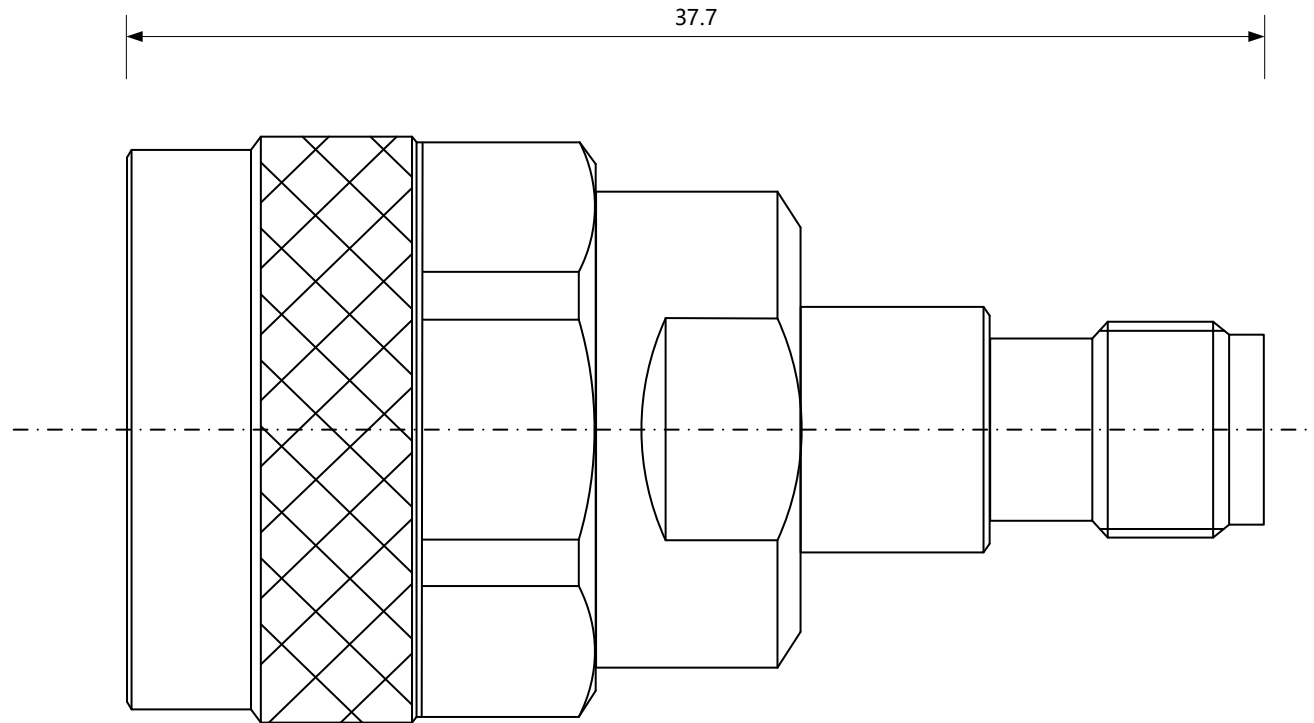
- (1) Inner Conductor: Beryllium Bronze/Gold PLated;
- (2) Insulator: PEI;
- (3) Outer conductor: Stainless Steel/Passivation.

Mechanc (Shanghai) Information Technology Co., Ltd.




[www.mechanc.com](http://www.mechanc.com)

[sales@mechanc.com](mailto:sales@mechanc.com)



Part Number	Length	Frequency Range	Insertion Loss	VSWR	Impedance
N/SMA-JK1	37.7 mm	18 GHz	≤0.15dB @ 18 GHz	VSWR≤1.15 @ 18 GHz	50 Ω

**Electrical, Mechanical and Environmental Characteristics:**

- (1) Voltage Withstand: ≥500 V;
- (2) Insulation Resistance: ≥5000 MΩ;
- (3) Durability: ≥500 Times;
- (4) Operating Temperature Range: -55°C ~ +165°C.

**Material Type:**

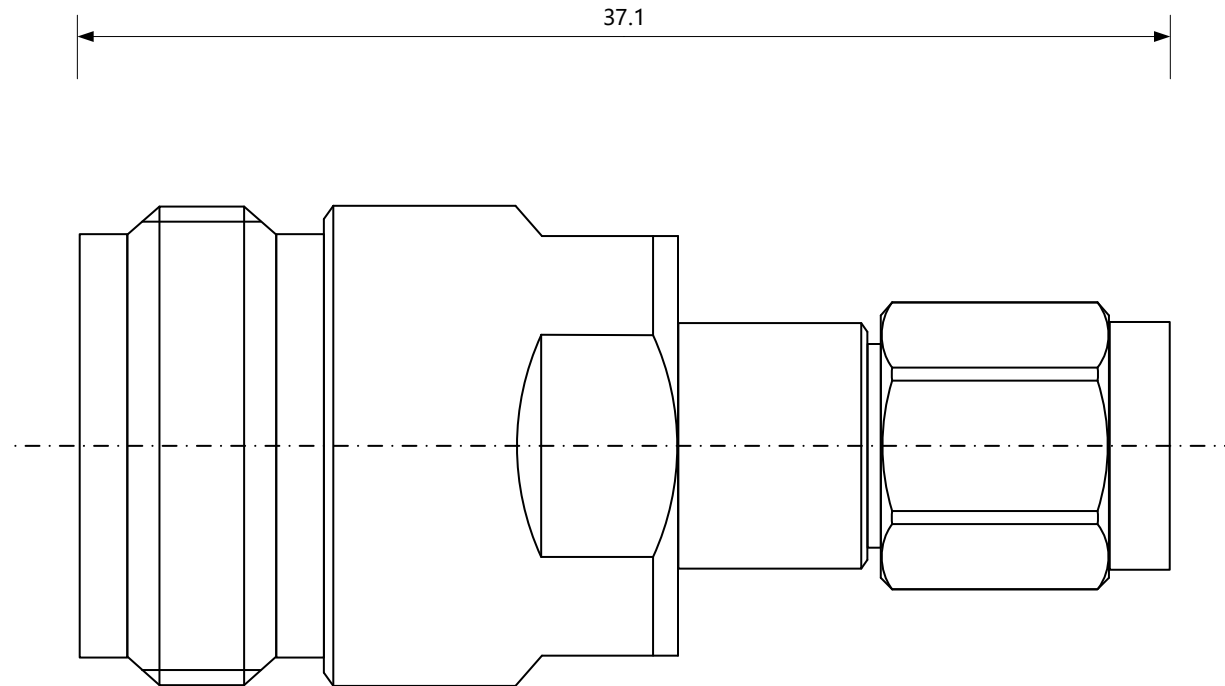
- (1) Inner Conductor: Beryllium Bronze/Gold PLATED;
- (2) Insulator: PEI;
- (3) Outer conductor: Stainless Steel/Passivation.

Mechanc (Shanghai) Information Technology Co., Ltd.




[www.mechanc.com](http://www.mechanc.com)

[sales@mechanc.com](mailto:sales@mechanc.com)



Part Number	Length	Frequency Range	Insertion Loss	VSWR	Impedance
N/SMA-KJ1	37.1 mm	18 GHz	≤0.15dB @ 18 GHz	VSWR≤1.15 @ 18 GHz	50 Ω

**Electrical, Mechanical and Environmental Characteristics:**

- (1) Voltage Withstand: ≥500 V;
- (2) Insulation Resistance: ≥5000 MΩ;
- (3) Durability: ≥500 Times;
- (4) Operating Temperature Range: -55°C ~ +165°C.

**Material Type:**

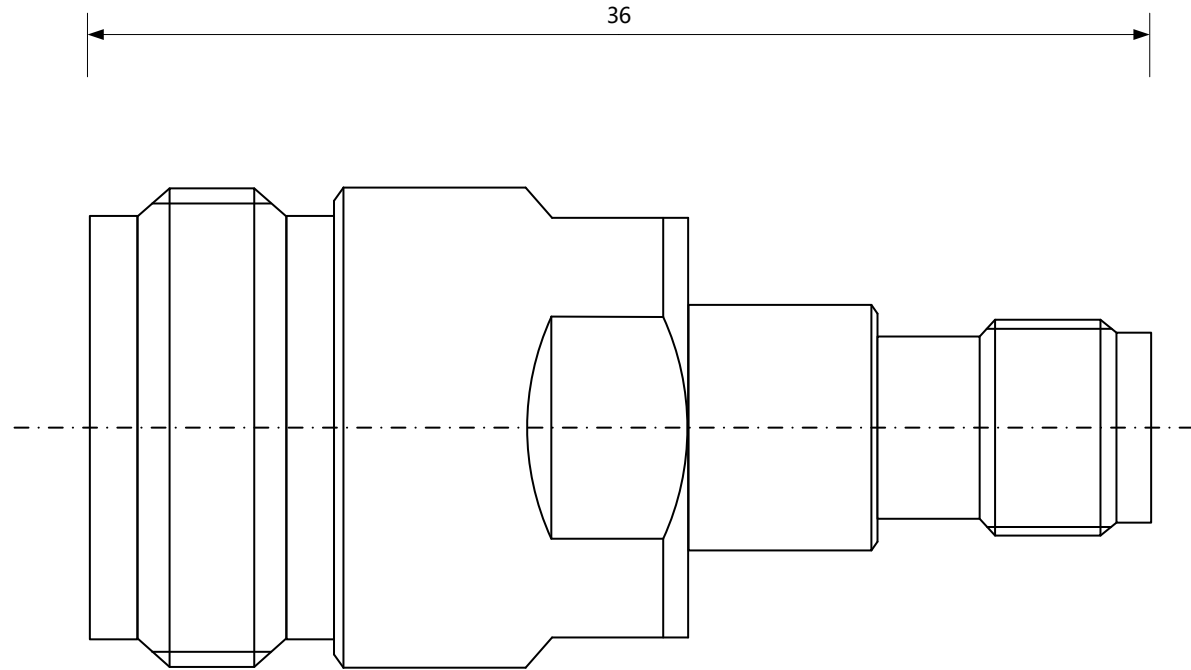
- (1) Inner Conductor: Beryllium Bronze/Gold PLated;
- (2) Insulator: PEI;
- (3) Outer conductor: Stainless Steel/Passivation.

Mechanc (Shanghai) Information Technology Co., Ltd.




[www.mechanc.com](http://www.mechanc.com)

[sales@mechanc.com](mailto:sales@mechanc.com)



Part Number	Length	Frequency Range	Insertion Loss	VSWR	Impedance
N/SMA-KK1	36 mm	18 GHz	≤0.15dB @ 18 GHz	VSWR≤1.15 @ 18 GHz	50 Ω

**Electrical, Mechanical and Environmental Characteristics:**

- (1) Voltage Withstand: ≥500 V;
- (2) Insulation Resistance: ≥5000 MΩ;
- (3) Durability: ≥500 Times;
- (4) Operating Temperature Range: -55°C ~ +165°C.

**Material Type:**

- (1) Inner Conductor: Beryllium Bronze/Gold PLated;
- (2) Insulator: PEI;
- (3) Outer conductor: Stainless Steel/Passivation.

Mechanc (Shanghai) Information Technology Co., Ltd.




[www.mechanc.com](http://www.mechanc.com)

[sales@mechanc.com](mailto:sales@mechanc.com)