

Part Number	Length	Frequency Range	Insertion Loss	VSWR	Impedance
2.92-JJ1	27.2 mm	40 GHz	$\leq 0.06\sqrt{f}$ dB	VSWR $\leq 1.12$ @ 40 GHz	50 $\Omega$

**Electrical, Mechanical and Environmental Characteristics:**

- (1) Voltage Withstand:  $\geq 500$  V;
- (2) Insulation Resistance:  $\geq 5000$  M $\Omega$ ;
- (3) Durability:  $\geq 500$  Times;
- (4) Operating Temperature Range:  $-55^{\circ}\text{C} \sim +165^{\circ}\text{C}$ .

**Material Type:**

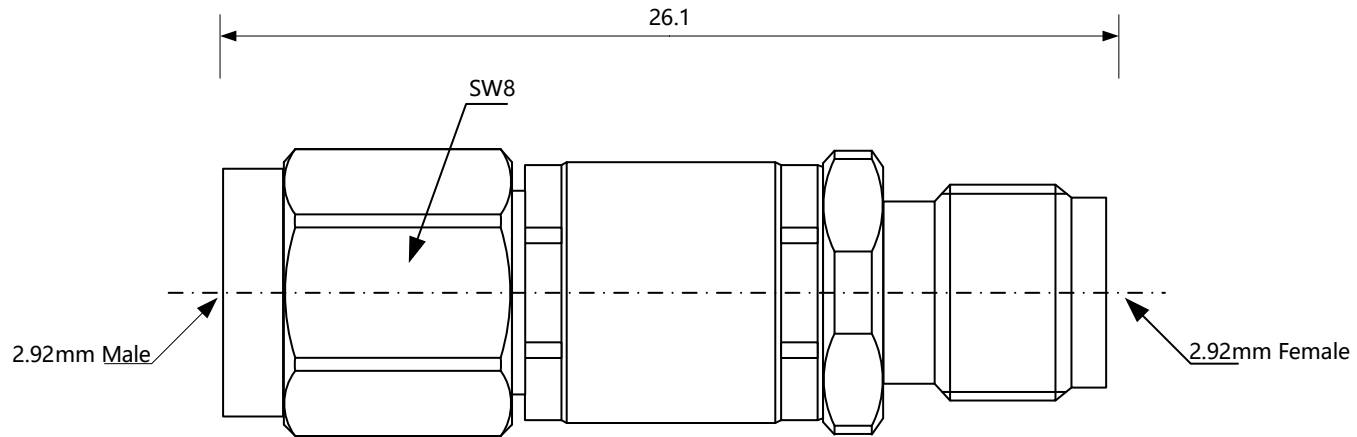
- (1) Inner Conductor: Beryllium Bronze/Gold PLated;
- (2) Insulator: PEI;
- (3) Outer conductor: Stainless Steel/Passivation.

Mechanc (Shanghai) Information Technology Co., Ltd.




[www.mechanc.com](http://www.mechanc.com)

[sales@mechanc.com](mailto:sales@mechanc.com)



Part Number	Length	Frequency Range	Insertion Loss	VSWR	Impedance
2.92-JK1	26.1 mm	40 GHz	$\leq 0.06\sqrt{f}$ dB	VSWR $\leq 1.12$ @ 40 GHz	50 $\Omega$

**Electrical, Mechanical and Environmental Characteristics:**

- (1) Voltage Withstand:  $\geq 500$  V;
- (2) Insulation Resistance:  $\geq 5000$  M $\Omega$ ;
- (3) Durability:  $\geq 500$  Times;
- (4) Operating Temperature Range:  $-55^{\circ}\text{C} \sim +165^{\circ}\text{C}$ .

**Material Type:**

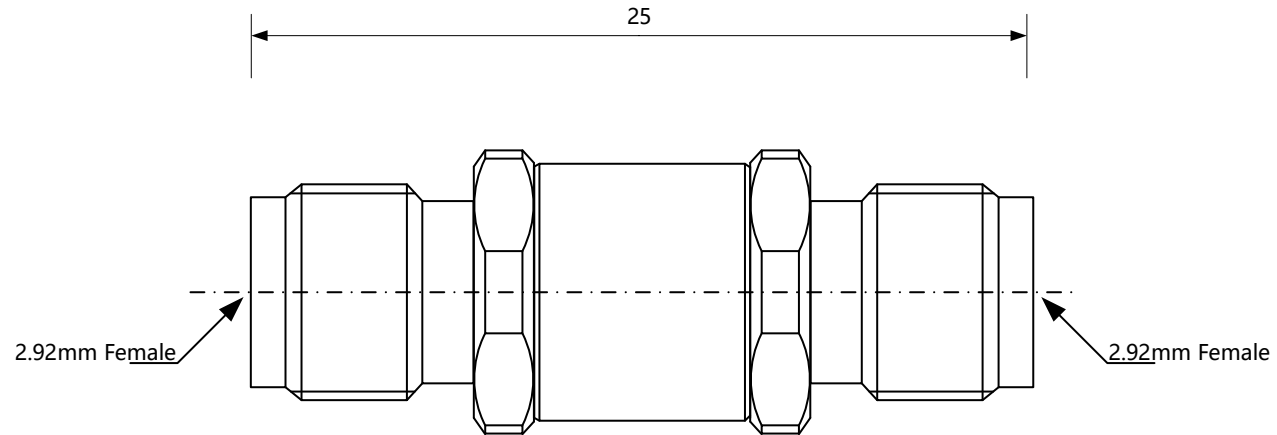
- (1) Inner Conductor: Beryllium Bronze/Gold PLated;
- (2) Insulator: PEI;
- (3) Outer conductor: Stainless Steel/Passivation.

Mechanc (Shanghai) Information Technology Co., Ltd.




[www.mechanc.com](http://www.mechanc.com)

[sales@mechanc.com](mailto:sales@mechanc.com)



Part Number	Length	Frequency Range	Insertion Loss	VSWR	Impedance
2.92-KK1	25 mm	40 GHz	$\leq 0.06\sqrt{f}$ dB	VSWR $\leq 1.12$ @ 40 GHz	50 $\Omega$

**Electrical, Mechanical and Environmental Characteristics:**

- (1) Voltage Withstand:  $\geq 500$  V;
- (2) Insulation Resistance:  $\geq 5000$  M $\Omega$ ;
- (3) Durability:  $\geq 500$  Times;
- (4) Operating Temperature Range:  $-55^{\circ}\text{C} \sim +165^{\circ}\text{C}$ .

**Material Type:**

- (1) Inner Conductor: Beryllium Bronze/Gold PLated;
- (2) Insulator: PEI;
- (3) Outer conductor: Stainless Steel/Passivation.

Mechanc (Shanghai) Information Technology Co., Ltd.




[www.mechanc.com](http://www.mechanc.com)

[sales@mechanc.com](mailto:sales@mechanc.com)