

Part Number	Length	Frequency Range	Insertion Loss	VSWR	Impedance
2.9/2.4-JJ 1	27.2 mm	40 GHz	$\leq 0.06\sqrt{f}$ dB	VSWR ≤ 1.12 @ 40 GHz	50 Ω

Electrical, Mechanical and Environmental Characteristics:

- (1) Voltage Withstand: ≥ 500 V;
- (2) Insulation Resistance: ≥ 5000 M Ω ;
- (3) Durability: ≥ 500 Times;
- (4) Operating Temperature Range: $-55^{\circ}\text{C} \sim +165^{\circ}\text{C}$.

Material Type:

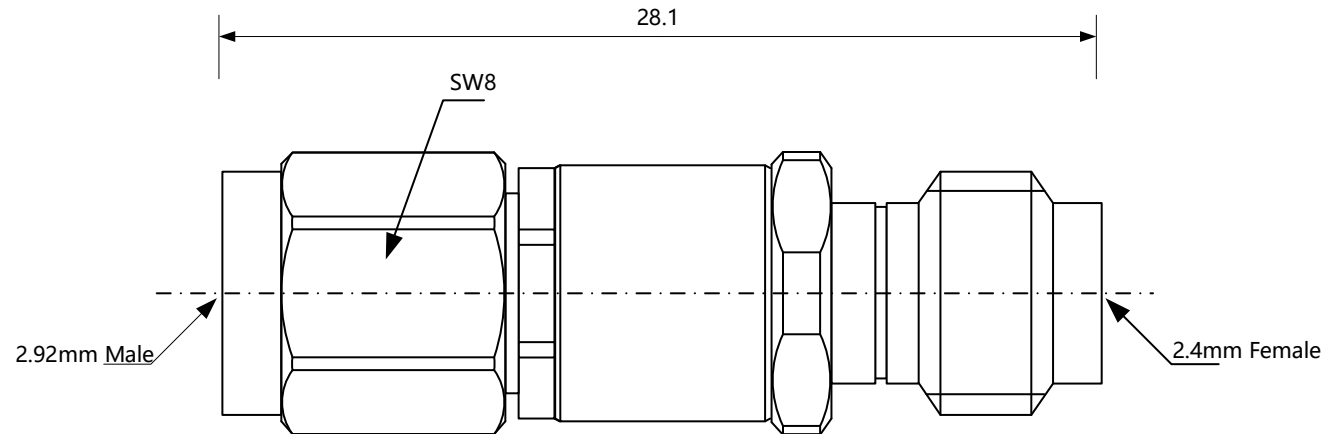
- (1) Inner Conductor: Beryllium Bronze/Gold PLated;
- (2) Insulator: PEI;
- (3) Outer conductor: Stainless Steel/Passivation.

Mechanc (Shanghai) Information Technology Co., Ltd.



www.mechanc.com

sales@mechanc.com



Part Number	Length	Frequency Range	Insertion Loss	VSWR	Impedance
2.92/2.4-JK1	28.1 mm	40 GHz	$\leq 0.06\sqrt{f}$ dB	VSWR ≤ 1.12 @ 40 GHz	50 Ω

Electrical, Mechanical and Environmental Characteristics:

- (1) Voltage Withstand: ≥ 500 V;
- (2) Insulation Resistance: ≥ 5000 M Ω ;
- (3) Durability: ≥ 500 Times;
- (4) Operating Temperature Range: $-55^{\circ}\text{C} \sim +165^{\circ}\text{C}$.

Material Type:

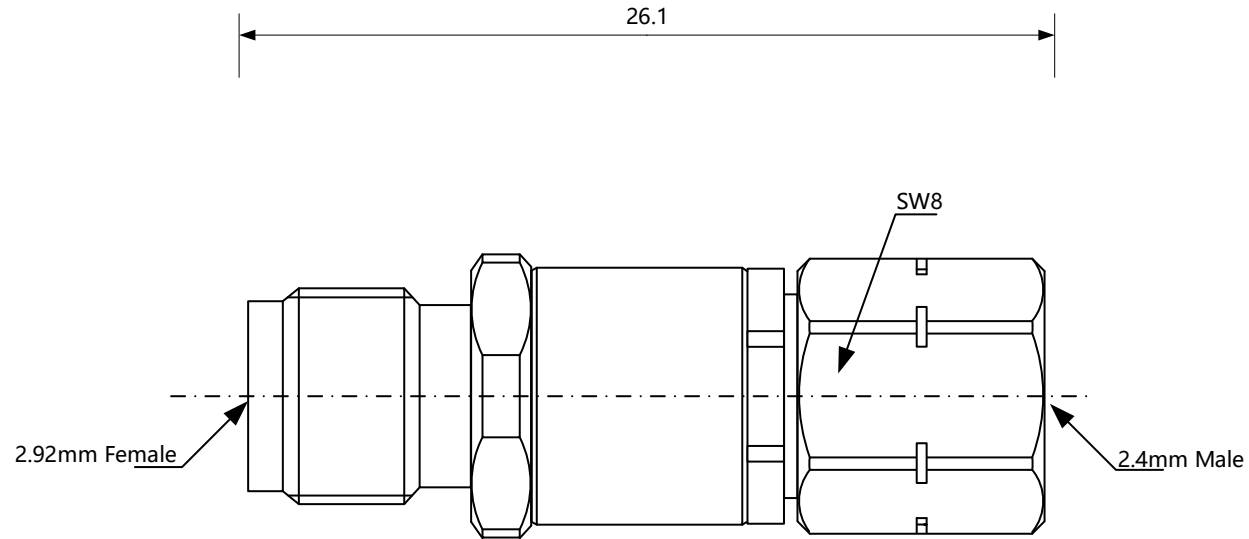
- (1) Inner Conductor: Beryllium Bronze/Gold PLated;
- (2) Insulator: PEI;
- (3) Outer conductor: Stainless Steel/Passivation.

Mechanc (Shanghai) Information Technology Co., Ltd.



www.mechanc.com

sales@mechanc.com



Part Number	Length	Frequency Range	Insertion Loss	VSWR	Impedance
2.9/2.4-KJ1	26.1 mm	40 GHz	$\leq 0.06\sqrt{f}$ dB	VSWR ≤ 1.12 @ 40 GHz	50 Ω

Electrical, Mechanical and Environmental Characteristics:

- (1) Voltage Withstand: ≥ 500 V;
- (2) Insulation Resistance: ≥ 5000 M Ω ;
- (3) Durability: ≥ 500 Times;
- (4) Operating Temperature Range: $-55^{\circ}\text{C} \sim +165^{\circ}\text{C}$.

Material Type:

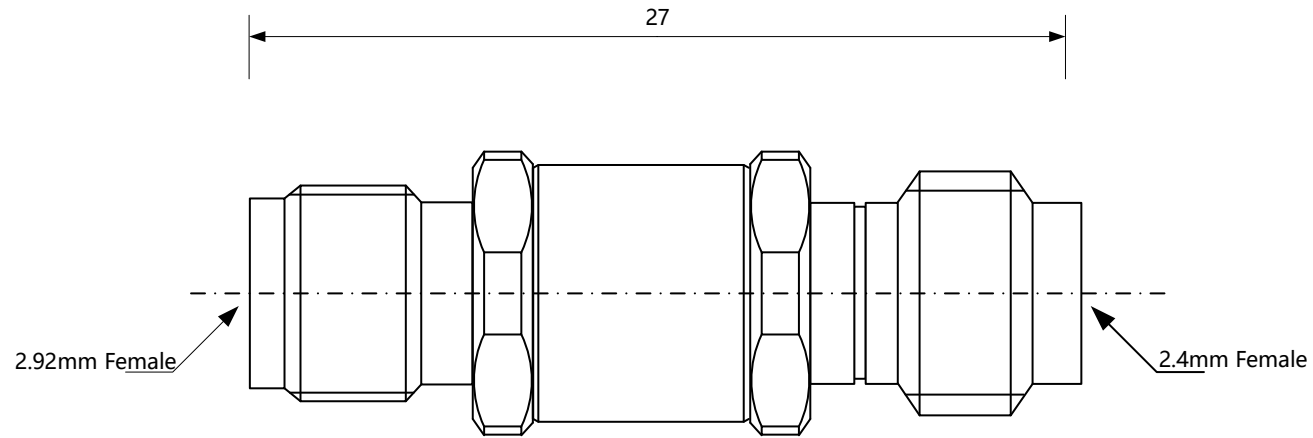
- (1) Inner Conductor: Beryllium Bronze/Gold PLated;
- (2) Insulator: PEI;
- (3) Outer conductor: Stainless Steel/Passivation.

Mechanc (Shanghai) Information Technology Co., Ltd.



www.mechanc.com

sales@mechanc.com



Part Number	Length	Frequency Range	Insertion Loss	VSWR	Impedance
2.9/2.4-KK1	27 mm	40 GHz	$\leq 0.06\sqrt{f}$ dB	VSWR ≤ 1.12 @ 40 GHz	50 Ω

Electrical, Mechanical and Environmental Characteristics:

- (1) Voltage Withstand: ≥ 500 V;
- (2) Insulation Resistance: ≥ 5000 M Ω ;
- (3) Durability: ≥ 500 Times;
- (4) Operating Temperature Range: $-55^{\circ}\text{C} \sim +165^{\circ}\text{C}$.

Material Type:

- (1) Inner Conductor: Beryllium Bronze/Gold PLated;
- (2) Insulator: PEI;
- (3) Outer conductor: Stainless Steel/Passivation.

Mechanc (Shanghai) Information Technology Co., Ltd.



www.mechanc.com

sales@mechanc.com