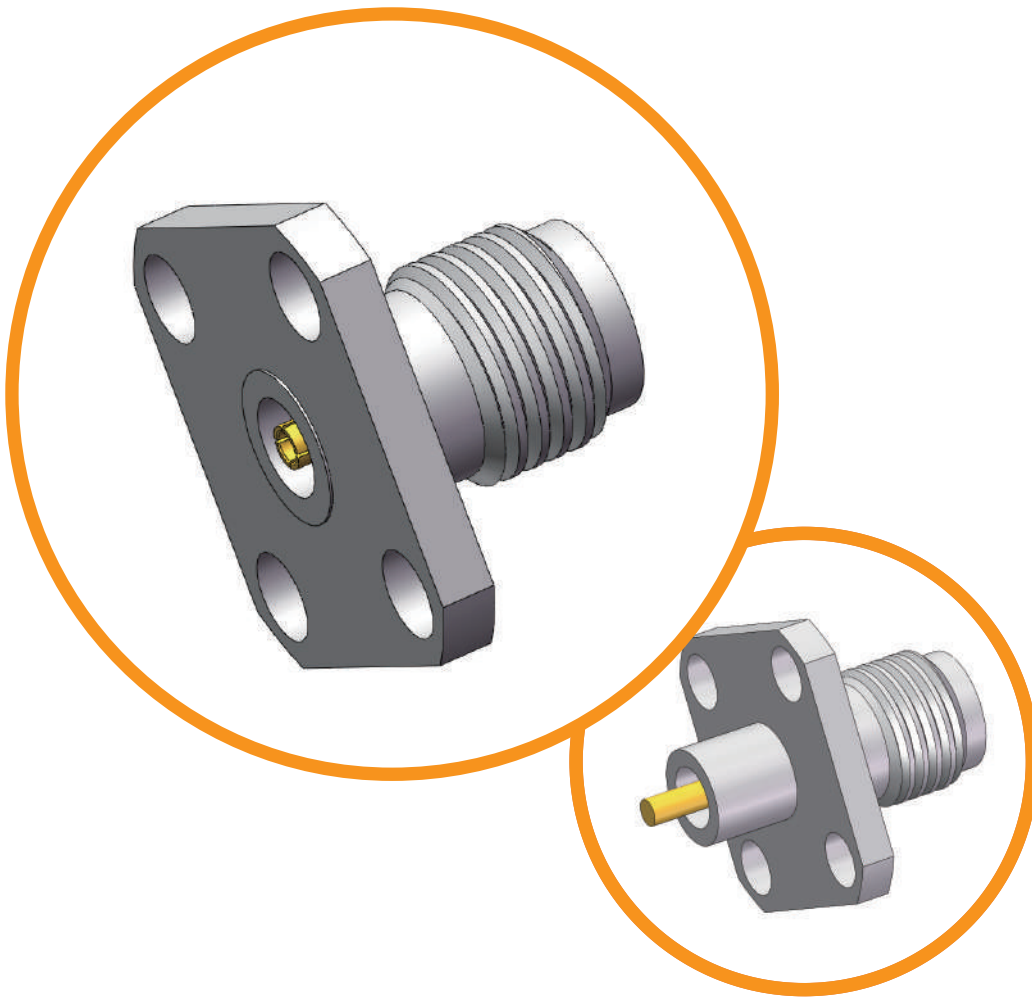


2.4mm DC to 50 GHz



Low VSWR

Ultra-low loss

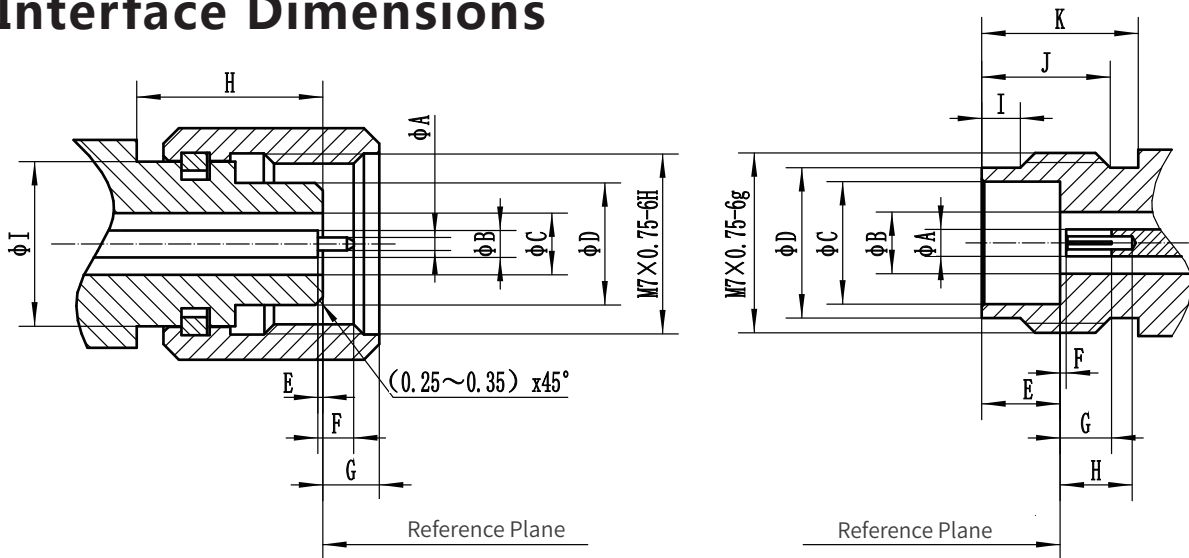
Durable & rugged

Extremely long service life

2.4mm Connector

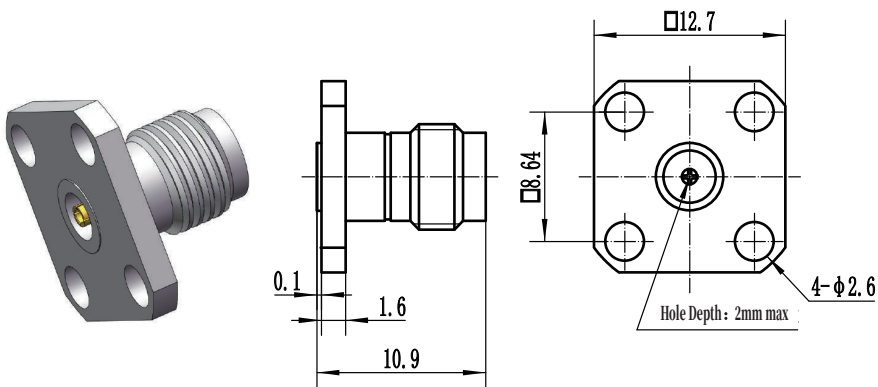
Electrical Data	Impedance	50 Ω	
	Frequency Range	DC ~ 50 GHz	
	VSWR	1.2 (Typical)	
	IL	$\leq 0.06 \sqrt{F(\text{GHz})}$ dB	
	Contact Resistance	Center Contact	≤ 3 mΩ
		Outer Contact	≤ 2 mΩ
	Insulation Resistance	≥ 5000 MΩ	
	Dielectric Withstanding Voltage	≥ 500 Vrms	
Environmental Data	Temperature Range	-55C° ~+ 165C°	
Material / Plating	Bodies, Outer Contacts	Stainless Steel / Passivated; Brass / Gold, Nickel	
	Center Contacts	Beryllium Copper, Brass / Gold	
	Insulators	PEI, PTFE	

Interface Dimensions

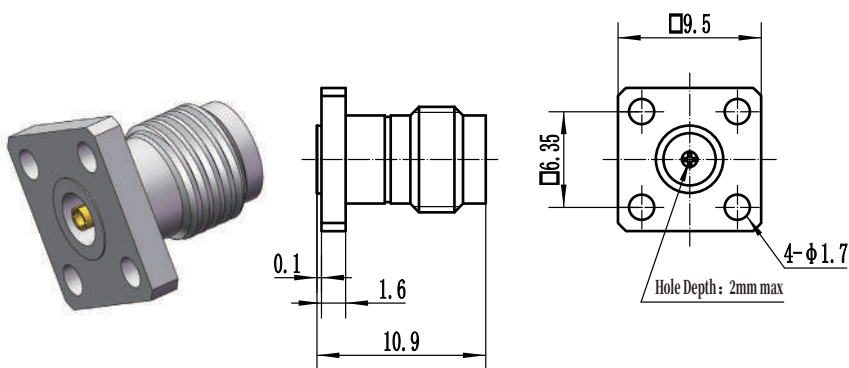


Plug (male)		
	Min (mm)	Max (mm)
A	0.498	0.523
B	1.039	1.054
C	2.39	2.41
D	4.72	4.75
E	0.00	0.08
F	1.35	1.45
G	1.85	2.44
H	7.37	-
I	6.32	6.37

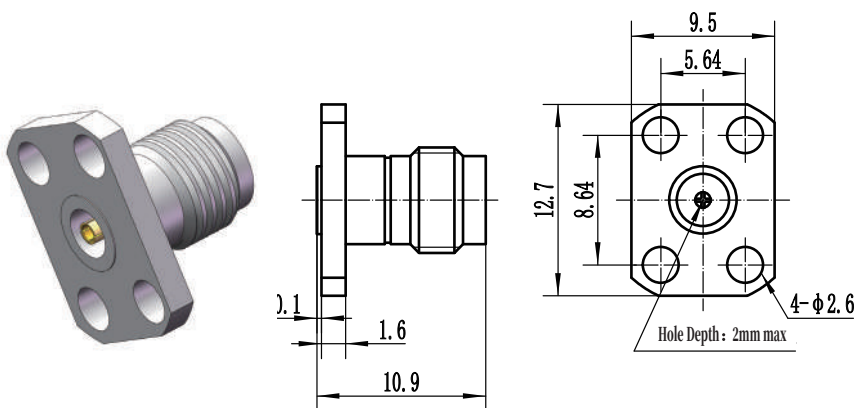
Jack (female)		
	Min (mm)	Max (mm)
A	1.039	1.054
B	2.39	2.41
C	4.770	4.795
D	5.79	5.89
E	3.00	3.10
F	0.00	0.08
G	1.52	-
H	2.64	-
I	1.37	1.62
J	4.80	5.05
K	5.99	-



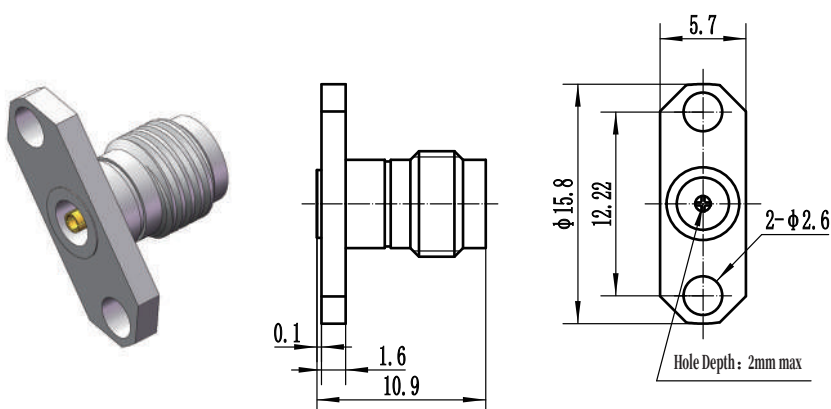
Accepts PIN DIA.	Model No.
Φ0.23mm	2.4-KFD1
Φ0.30mm	2.4-KFD2
Φ0.38mm	2.4-KFD3
Φ0.46mm	2.4-KFD4
Φ0.51mm	2.4-KFD5



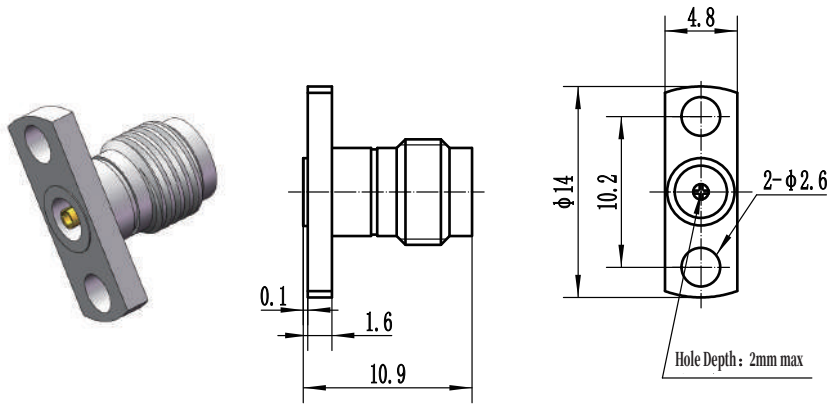
Accepts PIN DIA.	Model No.
Φ0.23mm	2.4-KFD6
Φ0.30mm	2.4-KFD7
Φ0.38mm	2.4-KFD8
Φ0.46mm	2.4-KFD9
Φ0.51mm	2.4-KFD10



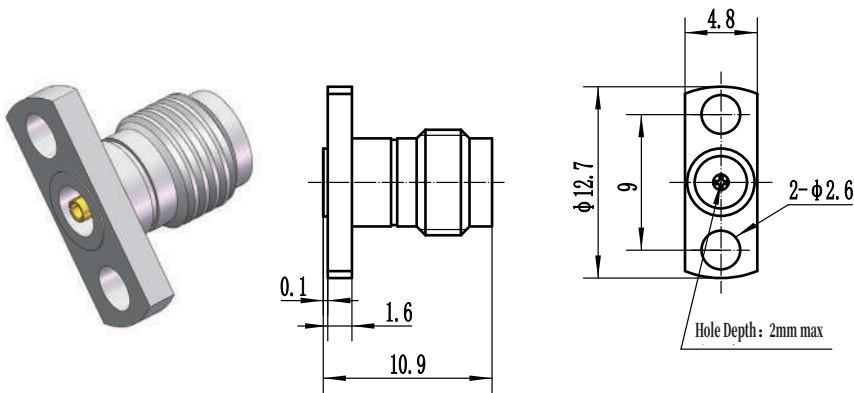
Accepts PIN DIA.	Model No.
Φ0.23mm	2.4-KFD11
Φ0.30mm	2.4-KFD12
Φ0.38mm	2.4-KFD13
Φ0.46mm	2.4-KFD14
Φ0.51mm	2.4-KFD15



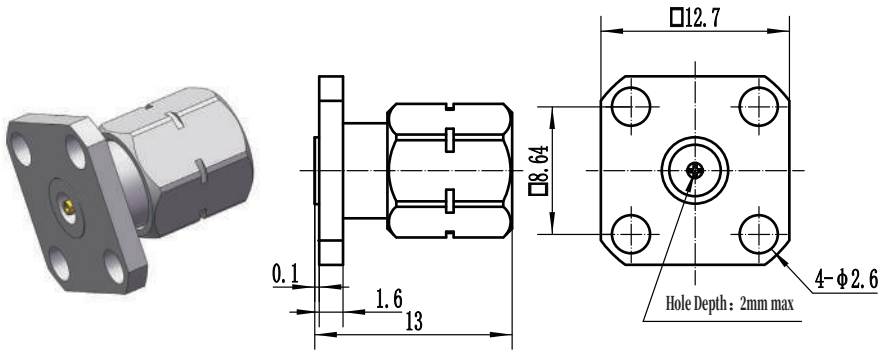
Accepts PIN DIA.	Model No.
Φ0.23mm	2.4-KFD16
Φ0.30mm	2.4-KFD17
Φ0.38mm	2.4-KFD18
Φ0.46mm	2.4-KFD19
Φ0.51mm	2.4-KFD20



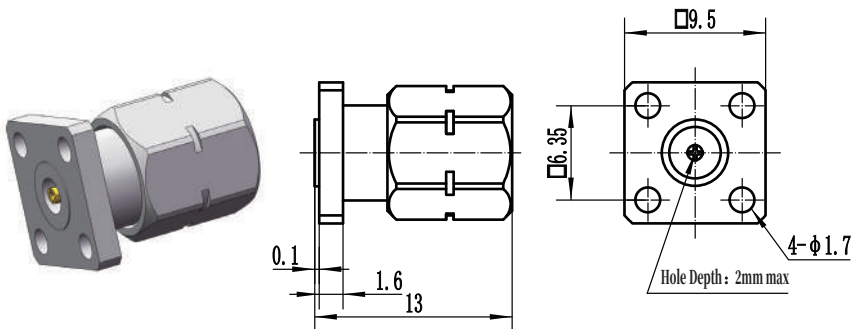
Accepts PIN DIA.	Model No.
Φ0.23mm	2.4-KFD21
Φ0.30mm	2.4-KFD22
Φ0.38mm	2.4-KFD23
Φ0.46mm	2.4-KFD24
Φ0.51mm	2.4-KFD25



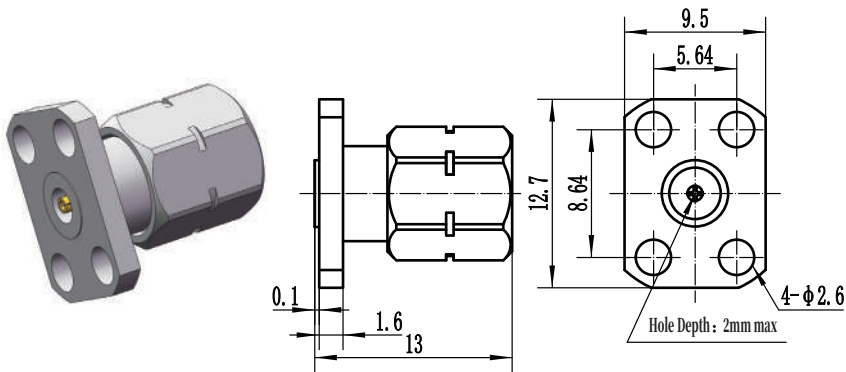
Accepts PIN DIA.	Model No.
Φ0.23mm	2.4-KFD26
Φ0.30mm	2.4-KFD27
Φ0.38mm	2.4-KFD28
Φ0.46mm	2.4-KFD29
Φ0.51mm	2.4-KFD30



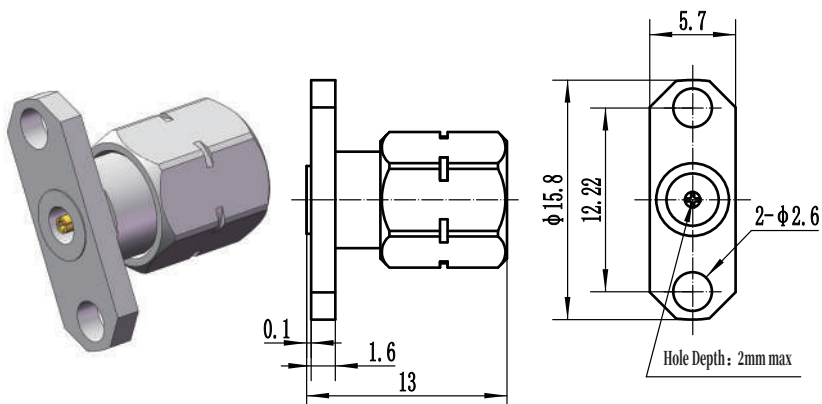
Accepts PIN DIA.	Model No.
Φ0.23mm	2.4-JFD1
Φ0.30mm	2.4-JFD2
Φ0.38mm	2.4-JFD3
Φ0.46mm	2.4-JFD4
Φ0.51mm	2.4-JFD5



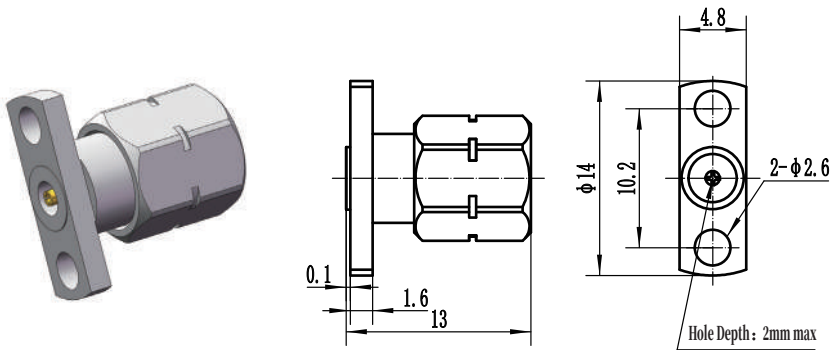
Accepts PIN DIA.	Model No.
Φ0.23mm	2.4-JFD6
Φ0.30mm	2.4-JFD7
Φ0.38mm	2.4-JFD8
Φ0.46mm	2.4-JFD9
Φ0.51mm	2.4-JFD10



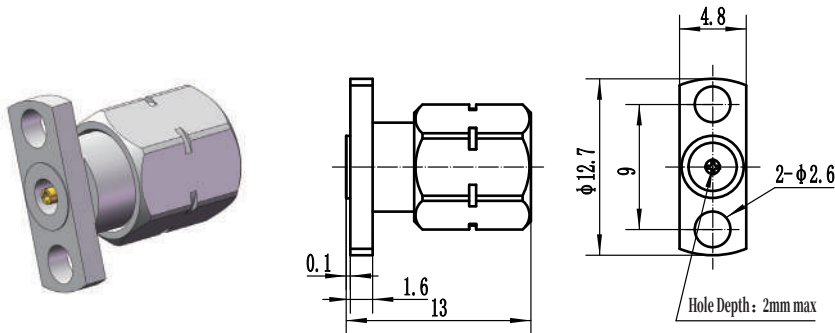
Accepts PIN DIA.	Model No.
Φ0.23mm	2.4-JFD11
Φ0.30mm	2.4-JFD12
Φ0.38mm	2.4-JFD13
Φ0.46mm	2.4-JFD14
Φ0.51mm	2.4-JFD15



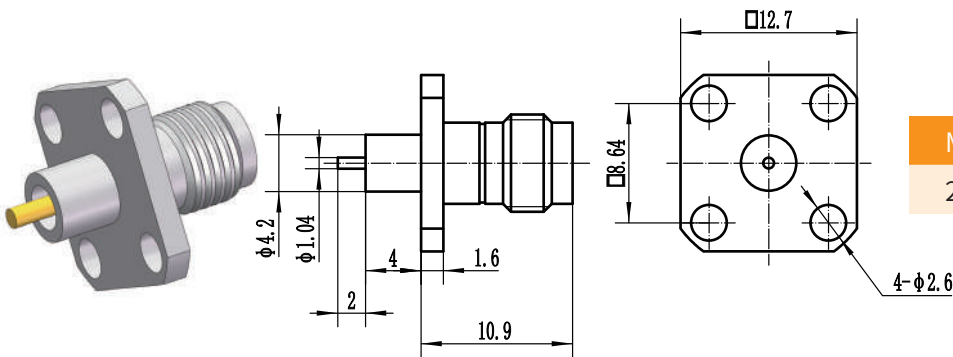
Accepts PIN DIA.	Model No.
Φ0.23mm	2.4-JFD16
Φ0.30mm	2.4-JFD17
Φ0.38mm	2.4-JFD18
Φ0.46mm	2.4-JFD19
Φ0.51mm	2.4-JFD20



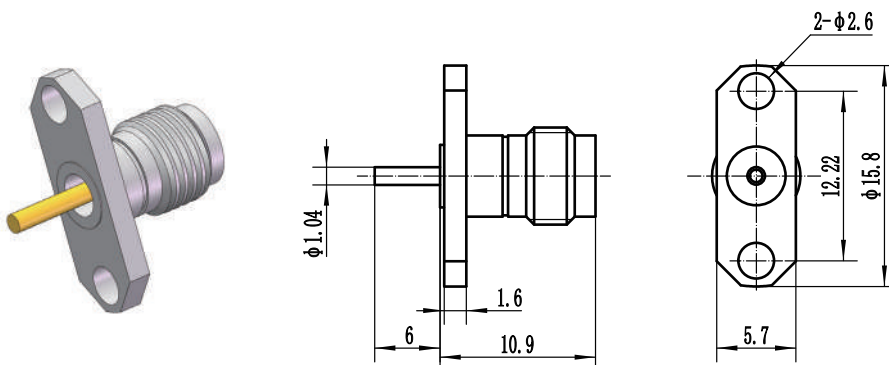
Accepts PIN DIA.	Model No.
Φ0.23mm	2.4-JFD21
Φ0.30mm	2.4-JFD22
Φ0.38mm	2.4-JFD23
Φ0.46mm	2.4-JFD24
Φ0.51mm	2.4-JFD25



Accepts PIN DIA.	Model No.
Φ0.23mm	2.4-JFD26
Φ0.30mm	2.4-JFD27
Φ0.38mm	2.4-JFD28
Φ0.46mm	2.4-JFD29
Φ0.51mm	2.4-JFD30



Model No.
2.4-KFD31



Model No.
2.4-KFD32