

Part Number	Length	Frequency Range	Insertion Loss	VSWR	Impedance
2.4-JJ1	27.2 mm	50 GHz	$\leq 0.06\sqrt{f}$ dB	VSWR $\leq 1.15$ @ 50 GHz	50 $\Omega$

**Electrical, Mechanical and Environmental Characteristics:**

- (1) Voltage Withstand:  $\geq 500$  V;
- (2) Insulation Resistance:  $\geq 5000$  M $\Omega$ ;
- (3) Durability:  $\geq 500$  Times;
- (4) Operating Temperature Range:  $-55^{\circ}\text{C} \sim +165^{\circ}\text{C}$ .

**Material Type:**

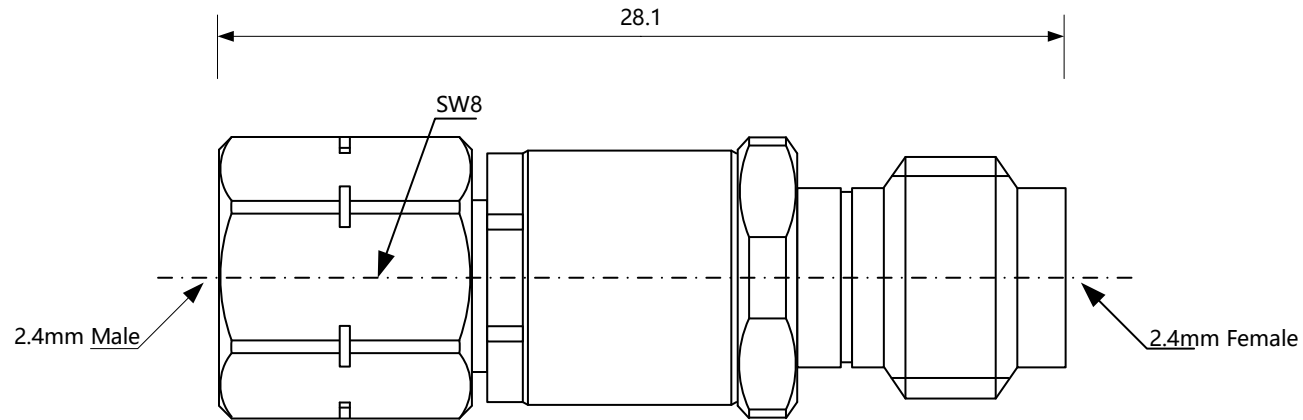
- (1) Inner Conductor: Beryllium Bronze/Gold PLated;
- (2) Insulator: PEI;
- (3) Outer conductor: Stainless Steel/Passivation.

Mechanc (Shanghai) Information Technology Co., Ltd.




[www.mechanc.com](http://www.mechanc.com)

[sales@mechanc.com](mailto:sales@mechanc.com)



Part Number	Length	Frequency Range	Insertion Loss	VSWR	Impedance
2.4-JK1	28.1 mm	50 GHz	$\leq 0.06$ v/dB	VSWR $\leq 1.15$ @ 50 GHz	50 $\Omega$

**Electrical, Mechanical and Environmental Characteristics:**

- (1) Voltage Withstand:  $\geq 500$  V;
- (2) Insulation Resistance:  $\geq 5000$  M $\Omega$ ;
- (3) Durability:  $\geq 500$  Times;
- (4) Operating Temperature Range:  $-55^{\circ}\text{C} \sim +165^{\circ}\text{C}$ .

**Material Type:**

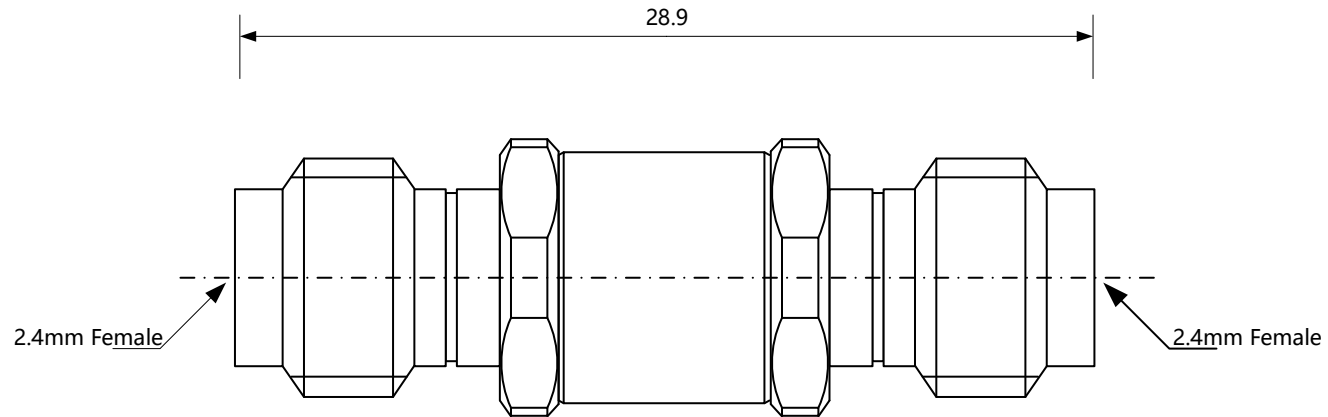
- (1) Inner Conductor: Beryllium Bronze/Gold PLated;
- (2) Insulator: PEI;
- (3) Outer conductor: Stainless Steel/Passivation.

Mechanc (Shanghai) Information Technology Co., Ltd.




[www.mechanc.com](http://www.mechanc.com)

[sales@mechanc.com](mailto:sales@mechanc.com)



Part Number	Length	Frequency Range	Insertion Loss	VSWR	Impedance
2.4-KK1	28.9 mm	50 GHz	$\leq 0.06 \text{ VdB}$	VSWR $\leq 1.15$ @ 50 GHz	50 $\Omega$

**Electrical, Mechanical and Environmental Characteristics:**

- (1) Voltage Withstand:  $\geq 500 \text{ V}$ ;
- (2) Insulation Resistance:  $\geq 5000 \text{ M}\Omega$ ;
- (3) Durability:  $\geq 500$  Times;
- (4) Operating Temperature Range:  $-55^\circ\text{C} \sim +165^\circ\text{C}$ .

**Material Type:**

- (1) Inner Conductor: Beryllium Bronze/Gold PLATED;
- (2) Insulator: PEI;
- (3) Outer conductor: Stainless Steel/Passivation.

Mechanc (Shanghai) Information Technology Co., Ltd.




[www.mechanc.com](http://www.mechanc.com)

[sales@mechanc.com](mailto:sales@mechanc.com)