

Part Number	Length	Frequency Range	Insertion Loss	VSWR	Impedance
2.4/1.85-JJ1	27.2 mm	50 GHz	$\leq 0.4\text{dB}@50\text{GHz}$	$\text{VSWR} \leq 1.15 @ 50 \text{ GHz}$	50 $\Omega$

**Electrical, Mechanical and Environmental Characteristics:**

- (1) Voltage Withstand:  $\geq 500 \text{ V}$ ;
- (2) Insulation Resistance:  $\geq 5000 \text{ M}\Omega$ ;
- (3) Durability:  $\geq 500$  Times;
- (4) Operating Temperature Range:  $-55^\circ\text{C} \sim +165^\circ\text{C}$ .

**Material Type:**

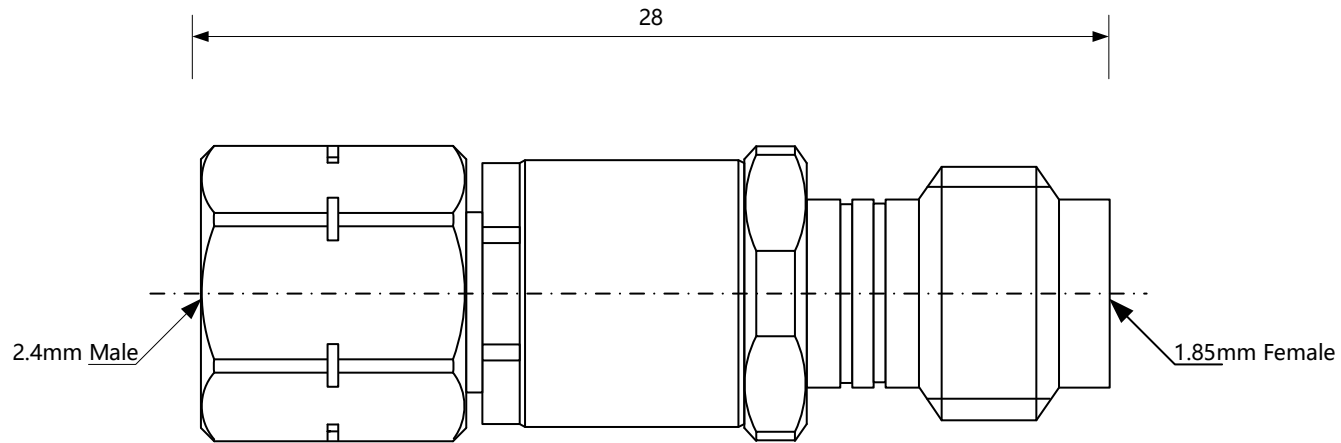
- (1) Inner Conductor: Beryllium Bronze/Gold PLated;
- (2) Insulator: PEI;
- (3) Outer conductor: Stainless Steel/Passivation.

Mechanc (Shanghai) Information Technology Co., Ltd.




[www.mechanc.com](http://www.mechanc.com)

[sales@mechanc.com](mailto:sales@mechanc.com)



Part Number	Length	Frequency Range	Insertion Loss	VSWR	Impedance
2.4/1.85-JK1	28 mm	50 GHz	≤0.4dB@50GHz	VSWR≤1.15 @ 50 GHz	50 Ω

**Electrical, Mechanical and Environmental Characteristics:**

- (1) Voltage Withstand: ≥500 V;
- (2) Insulation Resistance: ≥5000 MΩ;
- (3) Durability: ≥500 Times;
- (4) Operating Temperature Range: -55°C ~ +165°C.

**Material Type:**

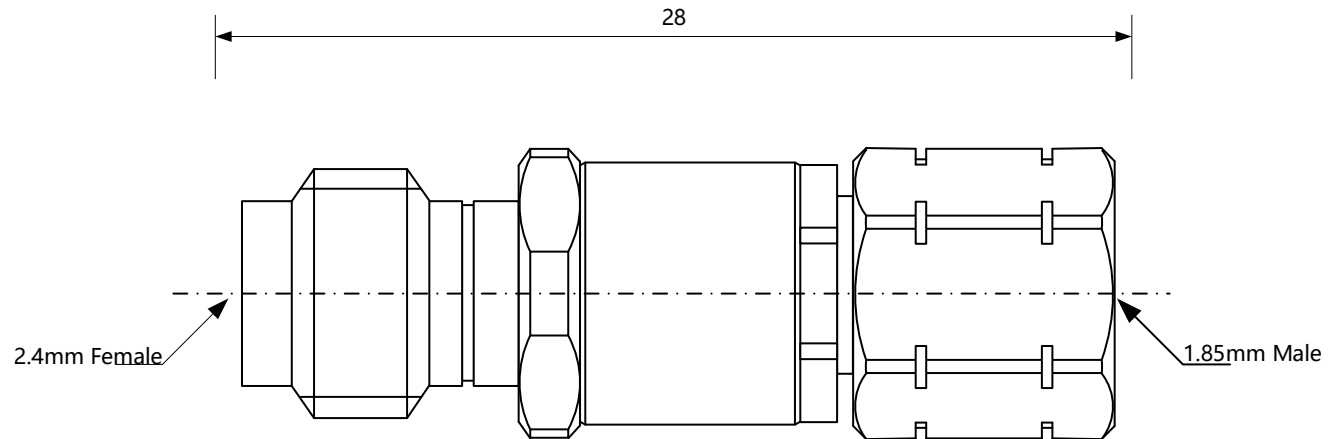
- (1) Inner Conductor: Beryllium Bronze/Gold PLated;
- (2) Insulator: PEI;
- (3) Outer conductor: Stainless Steel/Passivation.

Mechanc (Shanghai) Information Technology Co., Ltd.




www.mechanc.com

sales@mechanc.com



Part Number	Length	Frequency Range	Insertion Loss	VSWR	Impedance
2.4/1.85-KJ1	28 mm	50 GHz	≤0.4dB@50GHz	VSWR≤1.15 @ 50 GHz	50 Ω

**Electrical, Mechanical and Environmental Characteristics:**

- (1) Voltage Withstand: ≥500 V;
- (2) Insulation Resistance: ≥5000 MΩ;
- (3) Durability: ≥500 Times;
- (4) Operating Temperature Range: -55°C ~ +165°C.

**Material Type:**

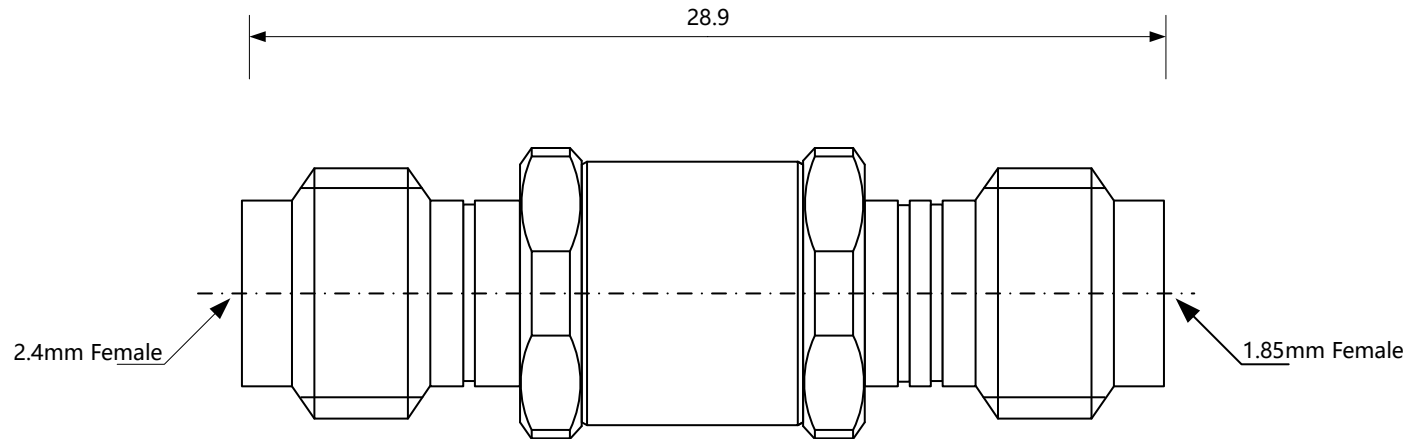
- (1) Inner Conductor: Beryllium Bronze/Gold PLated;
- (2) Insulator: PEI;
- (3) Outer conductor: Stainless Steel/Passivation.

Mechanc (Shanghai) Information Technology Co., Ltd.




[www.mechanc.com](http://www.mechanc.com)

[sales@mechanc.com](mailto:sales@mechanc.com)



Part Number	Length	Frequency Range	Insertion Loss	VSWR	Impedance
2.4/1.85-KK1	28.9 mm	50 GHz	≤0.4dB@50GHz	VSWR≤1.15 @ 50 GHz	50 Ω

**Electrical, Mechanical and Environmental Characteristics:**

- (1) Voltage Withstand: ≥500 V;
- (2) Insulation Resistance: ≥5000 MΩ;
- (3) Durability: ≥500 Times;
- (4) Operating Temperature Range: -55°C ~ +165°C.

**Material Type:**

- (1) Inner Conductor: Beryllium Bronze/Gold PLated;
- (2) Insulator: PEI;
- (3) Outer conductor: Stainless Steel/Passivation.

Mechanc (Shanghai) Information Technology Co., Ltd.