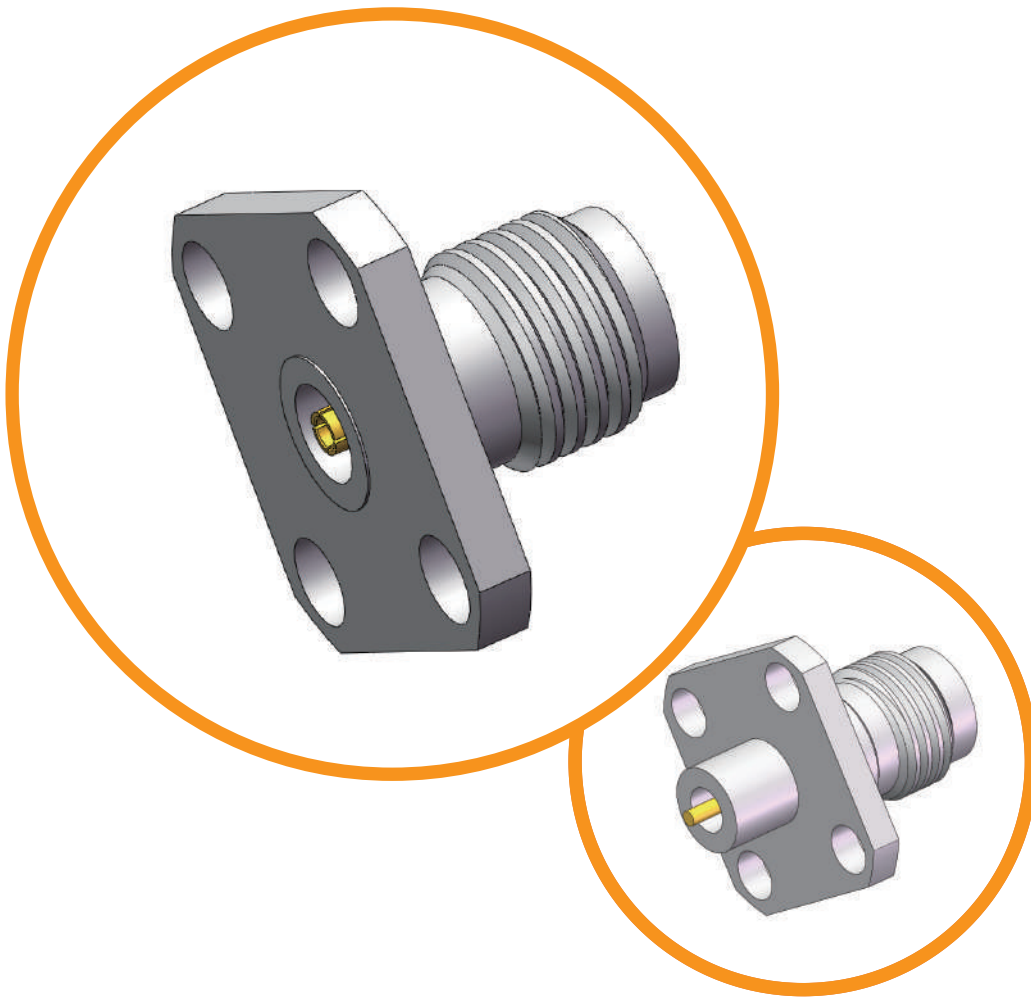


1.85mm DC to 67 GHz



Low VSWR

Ultra-low loss

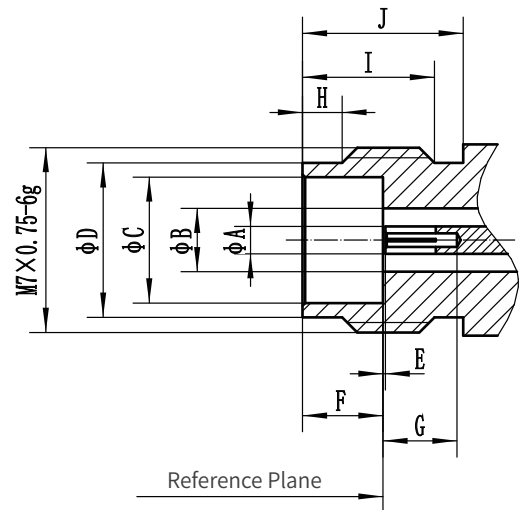
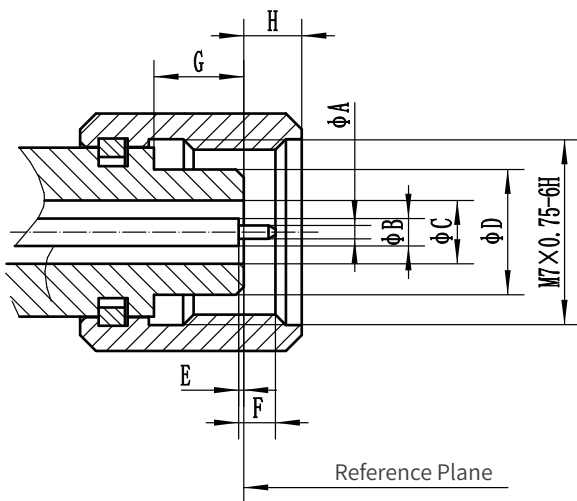
Durable & rugged

Extremely long service life

1.85mm Connector

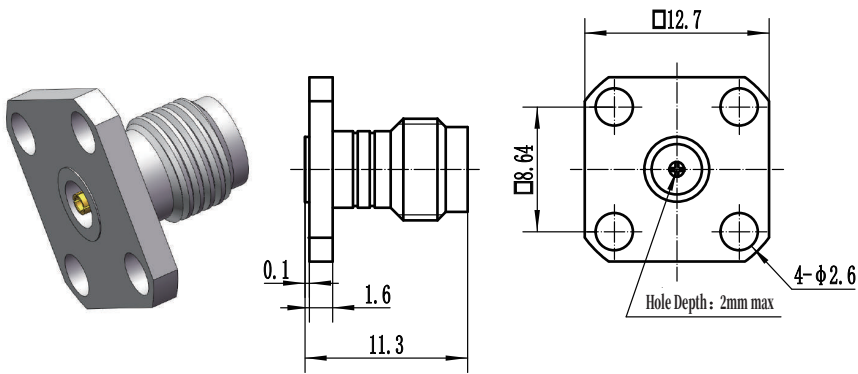
Electrical Data	Impedance	50 Ω
	Frequency Range	DC ~ 67 GHz
	VSWR	1.25 (Typical)
	IL	$\leq 0.06 \sqrt{F(\text{GHz})}$ dB
	Contact Resistance	Center Contact ≤ 4 mΩ Outer Contact ≤ 2 mΩ
	Insulation Resistance	≥ 5000 MΩ
	Dielectric Withstanding Voltage	≥ 500 Vrms
	Environmental Data	Temperature Range
Material / Plating	Bodies, Outer Contacts	Stainless Steel / Passivated; Brass / Gold, Nickel
	Center Contacts	Beryllium Copper, Brass / Gold
	Insulators	PEI, PTFE

Interface Dimensions

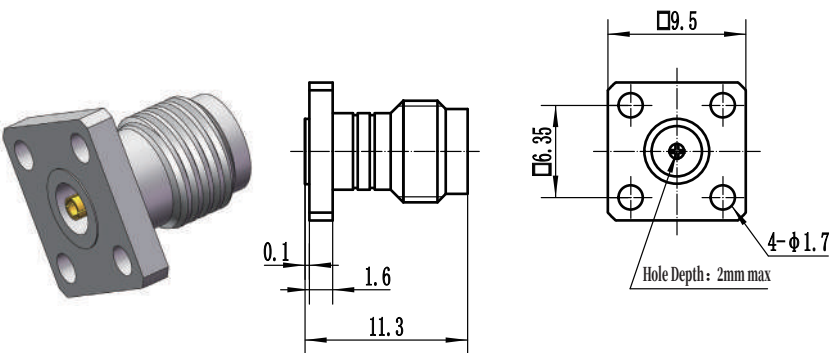


Plug (male)		
	Min (mm)	Max (mm)
A	0.506	0.516
B	0.8016	0.8056
C	1.8475	1.8525
D	4.7475	4.75
E	0.00	0.13
F	1.335	1.445
G	3.38	3.48
H	1.849	2.449

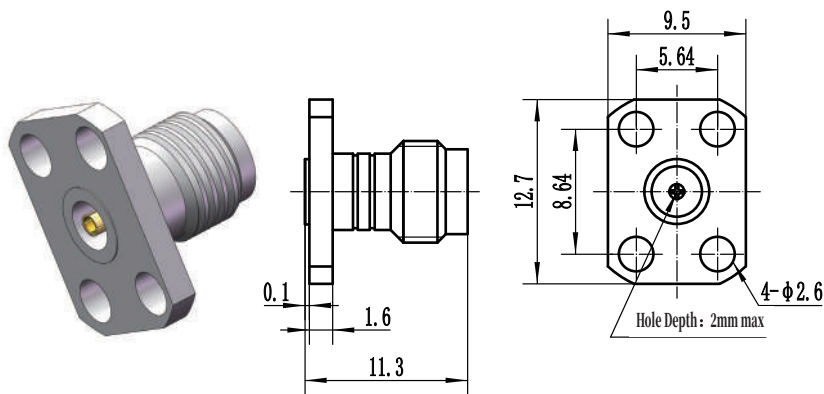
Jack (female)		
	Min (mm)	Max (mm)
A	0.8016	0.8056
B	1.8525	1.8575
C	4.745	4.795
D	5.79	5.89
E	0.00	0.13
F	3.00	3.10
G	2.65	-
H	1.37	1.63
I	4.80	5.06
J	6.00	-



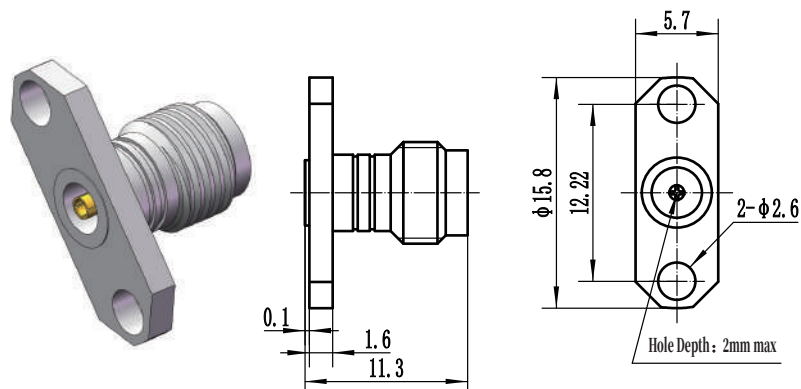
Accepts PIN DIA.	Model No.
ϕ 0.23mm	1.85-KFD1
ϕ 0.30mm	1.85-KFD2



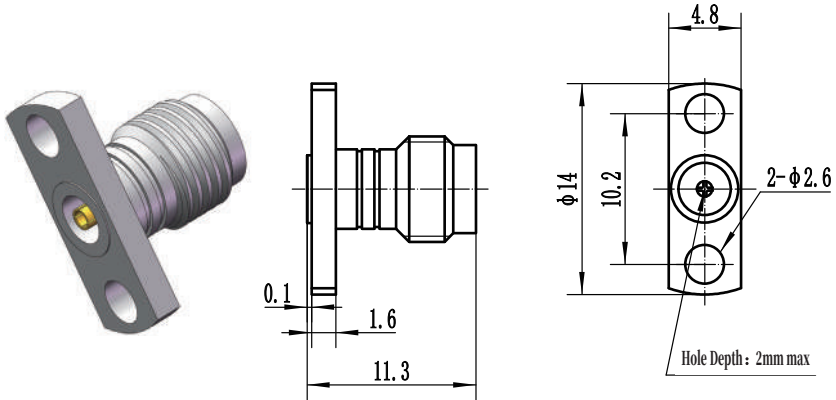
Accepts PIN DIA.	Model No.
ϕ 0.23mm	1.85-KFD3
ϕ 0.30mm	1.85-KFD4



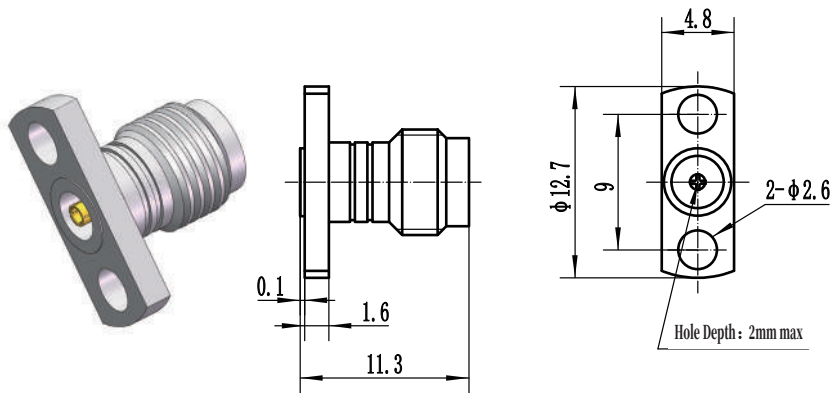
Accepts PIN DIA.	Model No.
ϕ 0.23mm	1.85-KFD5
ϕ 0.30mm	1.85-KFD6



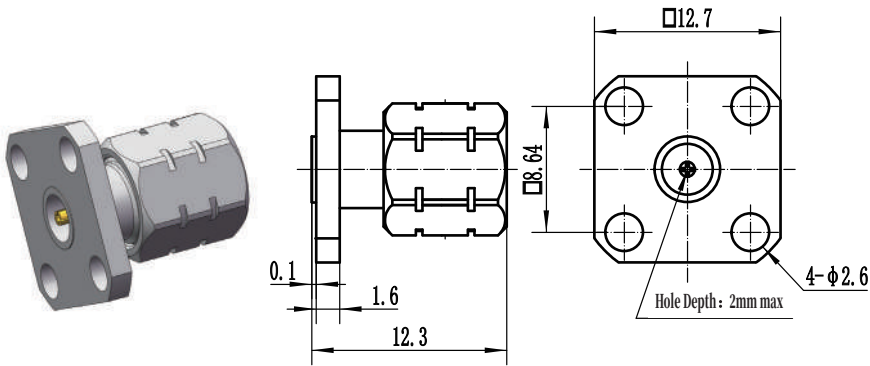
Accepts PIN DIA.	Model No.
ϕ 0.23mm	1.85-KFD7
ϕ 0.30mm	1.85-KFD8



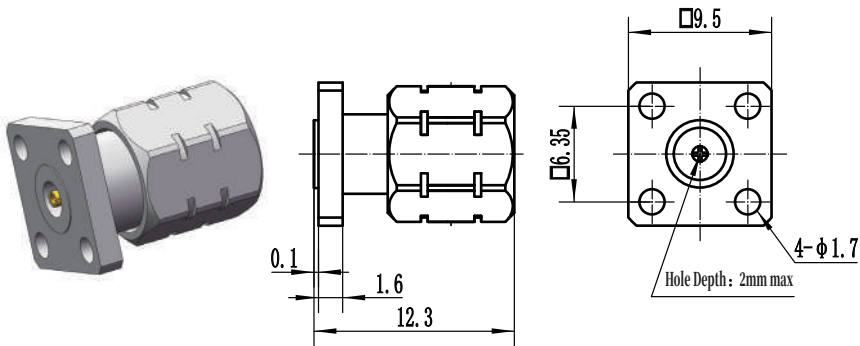
Accepts PIN DIA.	Model No.
Φ0.23mm	1.85-KFD9
Φ0.30mm	1.85-KFD10



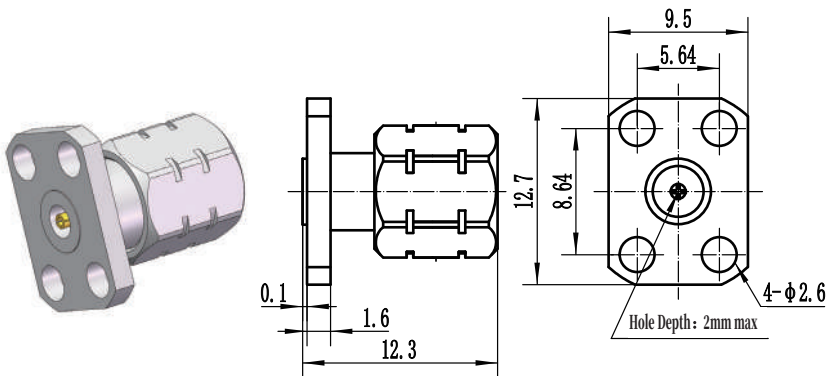
Accepts PIN DIA.	Model No.
Φ0.23mm	1.85-KFD11
Φ0.30mm	1.85-KFD12



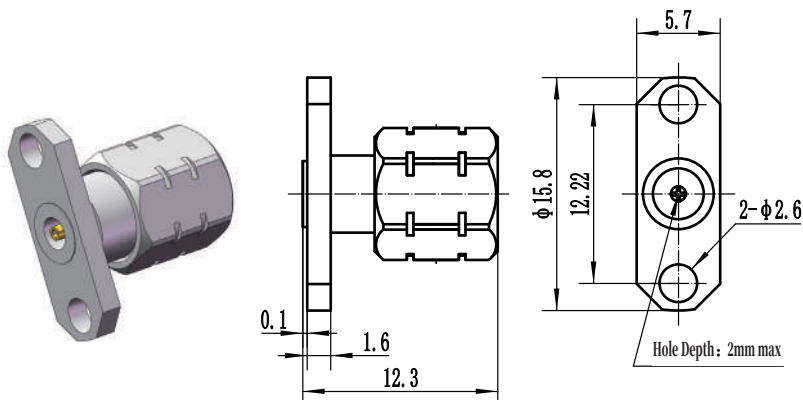
Accepts PIN DIA.	Model No.
Φ0.23mm	1.85-JFD1
Φ0.30mm	1.85-JFD2



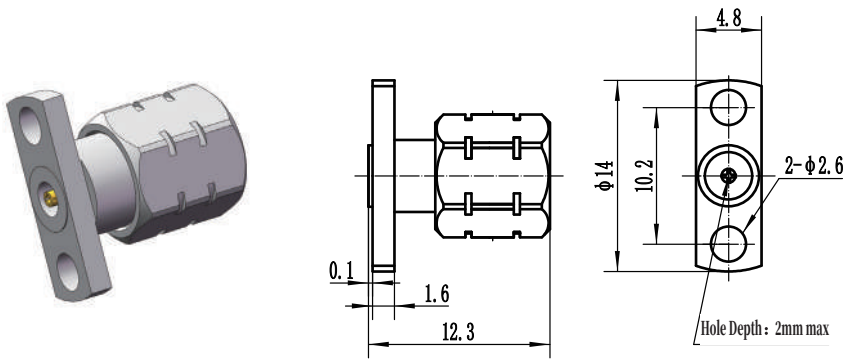
Accepts PIN DIA.	Model No.
Φ0.23mm	1.85-JFD3
Φ0.30mm	1.85-JFD4



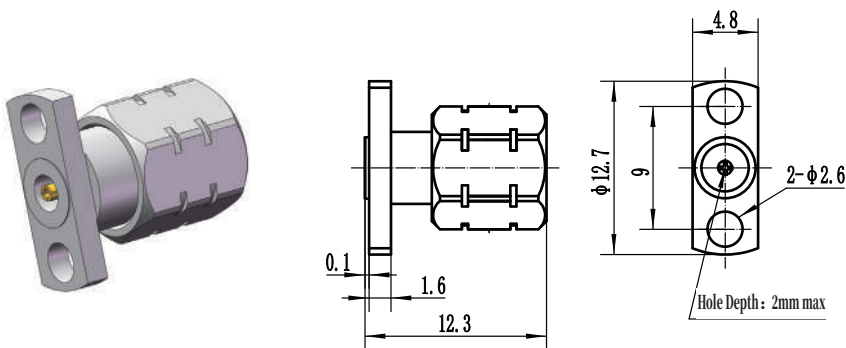
Accepts PIN DIA.	Model No.
Φ0.23mm	1.85-JFD5
Φ0.30mm	1.85-JFD6



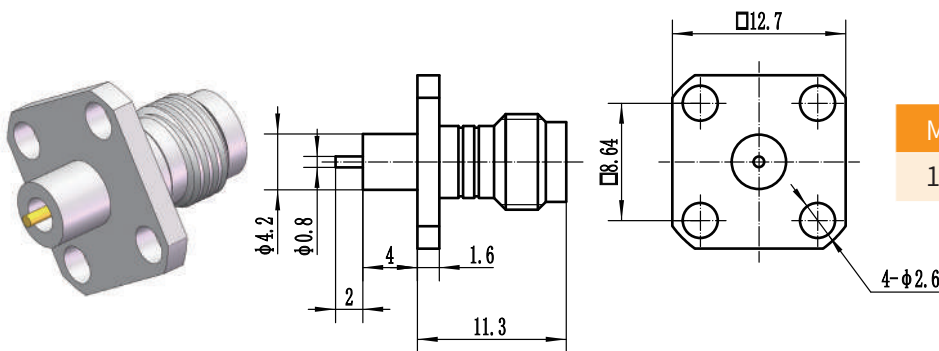
Accepts PIN DIA.	Model No.
Φ0.23mm	1.85-JFD7
Φ0.30mm	1.85-JFD8



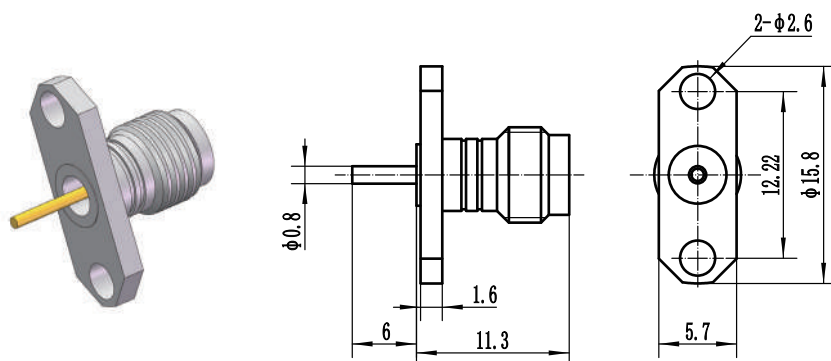
Accepts PIN DIA.	Model No.
Φ0.23mm	1.85-JFD9
Φ0.30mm	1.85-JFD10



Accepts PIN DIA.	Model No.
Φ0.23mm	1.85-JFD11
Φ0.30mm	1.85-JFD12



Model No.
1.85-KFD13



Model No.
1.85-KFD14