

Part Number	Length	Frequency Range	Insertion Loss	VSWR	Impedance
1.85-JJ1	27.2 mm	67 GHz	≤0.5dB @ 67 GHz	VSWR≤1.25 @ 67 GHz	50 Ω

**Electrical, Mechanical and Environmental Characteristics:**

- (1) Voltage Withstand: ≥500 V;
- (2) Insulation Resistance: ≥5000 MΩ;
- (3) Durability: ≥500 Times;
- (4) Operating Temperature Range: -15°C ~ +165°C.

**Material Type:**

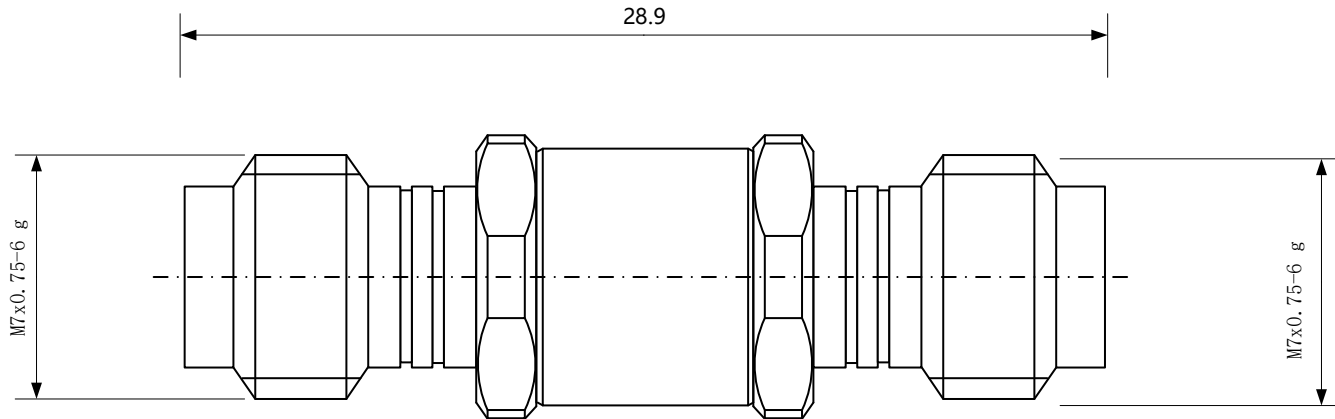
- (1) Inner Conductor: Beryllium Bronze/Gold PLated;
- (2) Insulator: PEI;
- (3) Outer conductor: Stainless Steel/Passivation.

Mechanc (Shanghai) Information Technology Co., Ltd.




[www.mechanc.com](http://www.mechanc.com)

[sales@mechanc.com](mailto:sales@mechanc.com)



Part Number	Length	Frequency Range	Insertion Loss	VSWR	Impedance
1.85-KK1	28.9 mm	67 GHz	≤0.7 dB @ 67 GHz	VSWR≤1.3 @ 67 GHz	50 Ω

**Electrical, Mechanical and Environmental Characteristics:**

- (1) Voltage Withstand: ≥500 V;
- (2) Insulation Resistance: ≥5000 MΩ;
- (3) Durability: ≥500 Times;
- (4) Operating Temperature Range: -15°C ~ +165°C.

**Material Type:**

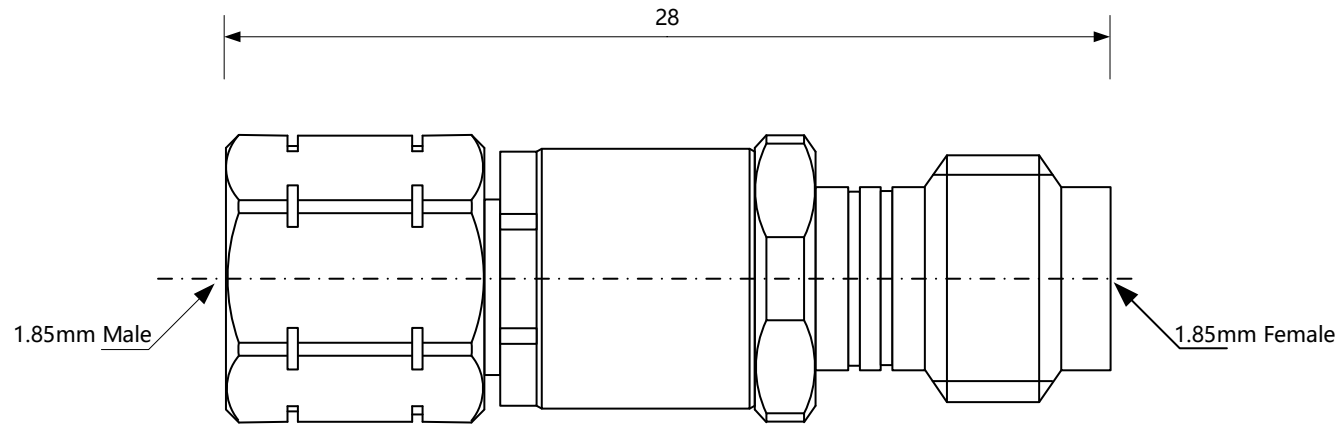
- (1) Inner Conductor: Beryllium Bronze/Gold PLated;
- (2) Insulator: PEI;
- (3) Outer conductor: Stainless Steel/Passivation.

Mechanc (Shanghai) Information Technology Co., Ltd.




[www.mechanc.com](http://www.mechanc.com)

[sales@mechanc.com](mailto:sales@mechanc.com)



Part Number	Length	Frequency Range	Insertion Loss	VSWR	Impedance
1.85-JK1	28 mm	67 GHz	≤0.5dB @ 67 GHz	VSWR≤1.25 @ 67 GHz	50 Ω

**Electrical, Mechanical and Environmental Characteristics:**

- (1) Voltage Withstand: ≥500 V;
- (2) Insulation Resistance: ≥5000 MΩ;
- (3) Durability: ≥500 Times;
- (4) Operating Temperature Range: -15°C ~ +165°C.

**Material Type:**

- (1) Inner Conductor: Beryllium Bronze/Gold PLated;
- (2) Insulator: PEI;
- (3) Outer conductor: Stainless Steel/Passivation.

Mechanc (Shanghai) Information Technology Co., Ltd.




www.mechanc.com

sales@mechanc.com