

Part Number	Length	Frequency Range	Insertion Loss	VSWR	Impedance
2.4/1.0-JJ1	25.3 mm	50 GHz	≤0.4dB@50GHz	VSWR≤1.2 @ 50 GHz	50 Ω

Electrical, Mechanical and Environmental Characteristics:

- (1) Voltage Withstand: ≥500 V;
- (2) Insulation Resistance: ≥5000 MΩ;
- (3) Durability: ≥500 Times;
- (4) Operating Temperature Range: -55°C ~ +165°C.

Material Type:

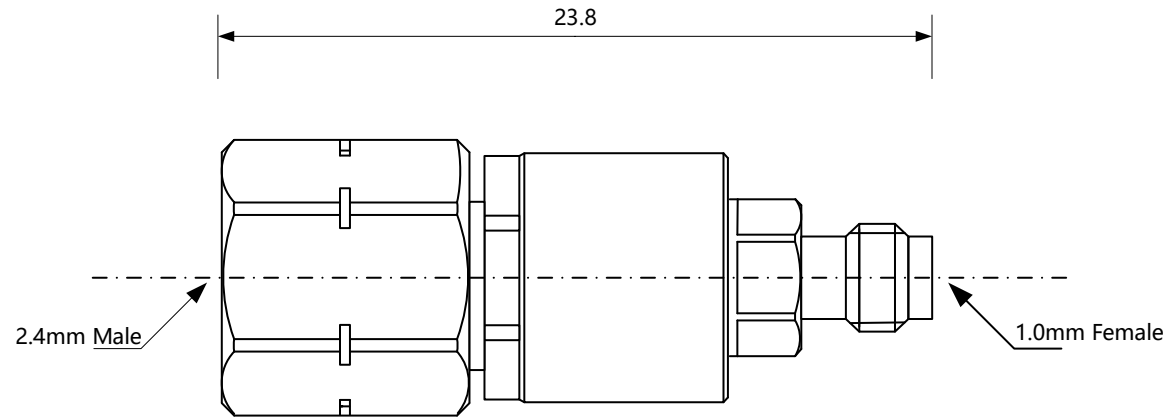
- (1) Inner Conductor: Beryllium Bronze/Gold PLated;
- (2) Insulator: PEI;
- (3) Outer conductor: Stainless Steel/Passivation.

Mechanc (Shanghai) Information Technology Co., Ltd.



www.mechanc.com

sales@mechanc.com



Part Number	Length	Frequency Range	Insertion Loss	VSWR	Impedance
2.4/1.0-JK1	23.8 mm	50 GHz	≤0.4dB@50GHz	VSWR≤1.2 @ 50 GHz	50 Ω

Electrical, Mechanical and Environmental Characteristics:

- (1) Voltage Withstand: ≥500 V;
- (2) Insulation Resistance: ≥5000 MΩ;
- (3) Durability: ≥500 Times;
- (4) Operating Temperature Range: -55°C ~ +165°C.

Material Type:

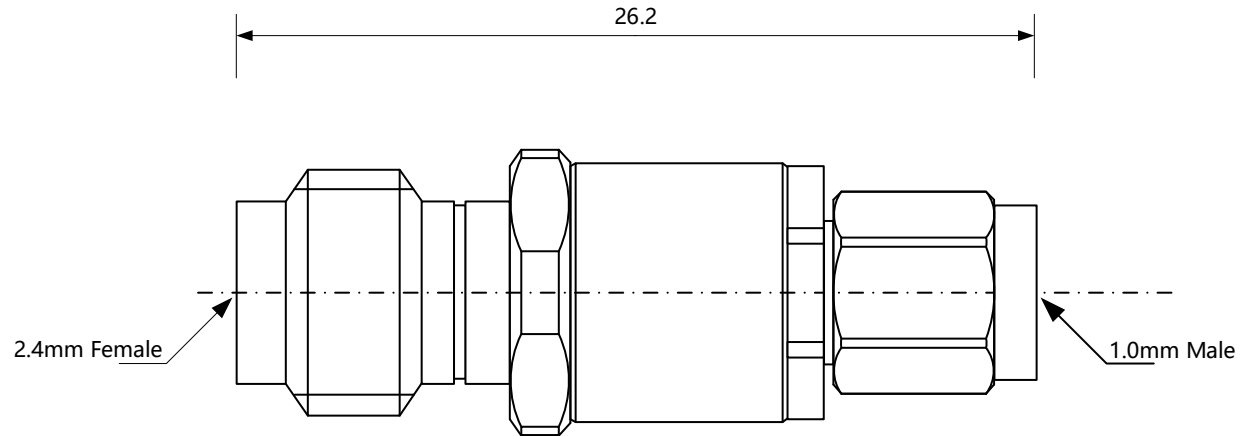
- (1) Inner Conductor: Beryllium Bronze/Gold PLated;
- (2) Insulator: PEI;
- (3) Outer conductor: Stainless Steel/Passivation.

Mechanc (Shanghai) Information Technology Co., Ltd.



www.mechanc.com

sales@mechanc.com



Part Number	Length	Frequency Range	Insertion Loss	VSWR	Impedance
2.4/1.0-KJ1	26.2 mm	50 GHz	≤0.4dB@50GHz	VSWR≤1.2 @ 50 GHz	50 Ω

Electrical, Mechanical and Environmental Characteristics:

- (1) Voltage Withstand: ≥500 V;
- (2) Insulation Resistance: ≥5000 MΩ;
- (3) Durability: ≥500 Times;
- (4) Operating Temperature Range: -55°C ~ +165°C.

Material Type:

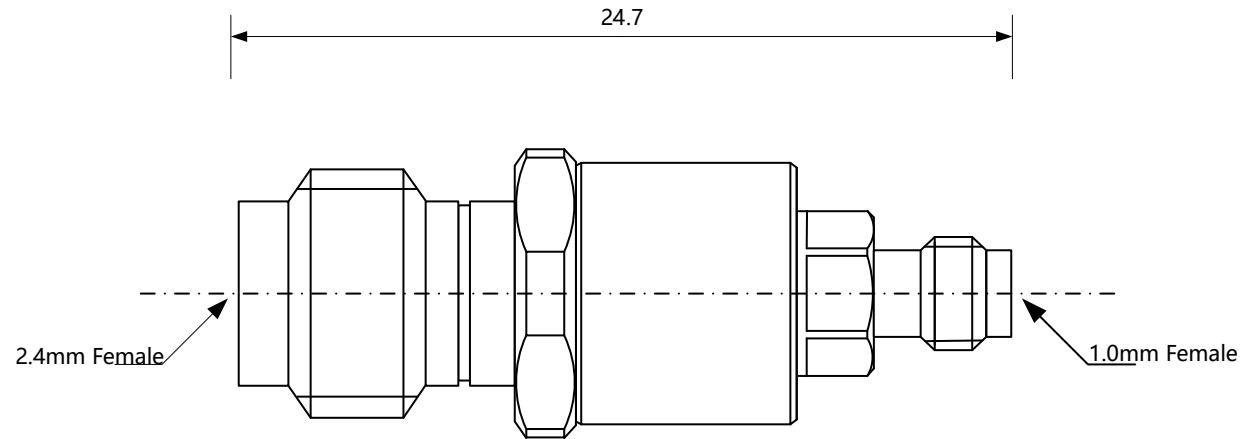
- (1) Inner Conductor: Beryllium Bronze/Gold PLated;
- (2) Insulator: PEI;
- (3) Outer conductor: Stainless Steel/Passivation.

Mechanc (Shanghai) Information Technology Co., Ltd.



www.mechanc.com

sales@mechanc.com



Part Number	Length	Frequency Range	Insertion Loss	VSWR	Impedance
2.4/1.0-KK1	24.7 mm	50 GHz	$\leq 0.4\text{dB}@50\text{GHz}$	$\text{VSWR} \leq 1.2 @ 50 \text{ GHz}$	50 Ω

Electrical, Mechanical and Environmental Characteristics:

- (1) Voltage Withstand: $\geq 500 \text{ V}$;
- (2) Insulation Resistance: $\geq 5000 \text{ M}\Omega$;
- (3) Durability: ≥ 500 Times;
- (4) Operating Temperature Range: $-55^\circ\text{C} \sim +165^\circ\text{C}$.

Material Type:

- (1) Inner Conductor: Beryllium Bronze/Gold PLated;
- (2) Insulator: PEI;
- (3) Outer conductor: Stainless Steel/Passivation.

Mechanc (Shanghai) Information Technology Co., Ltd.



www.mechanc.com

sales@mechanc.com