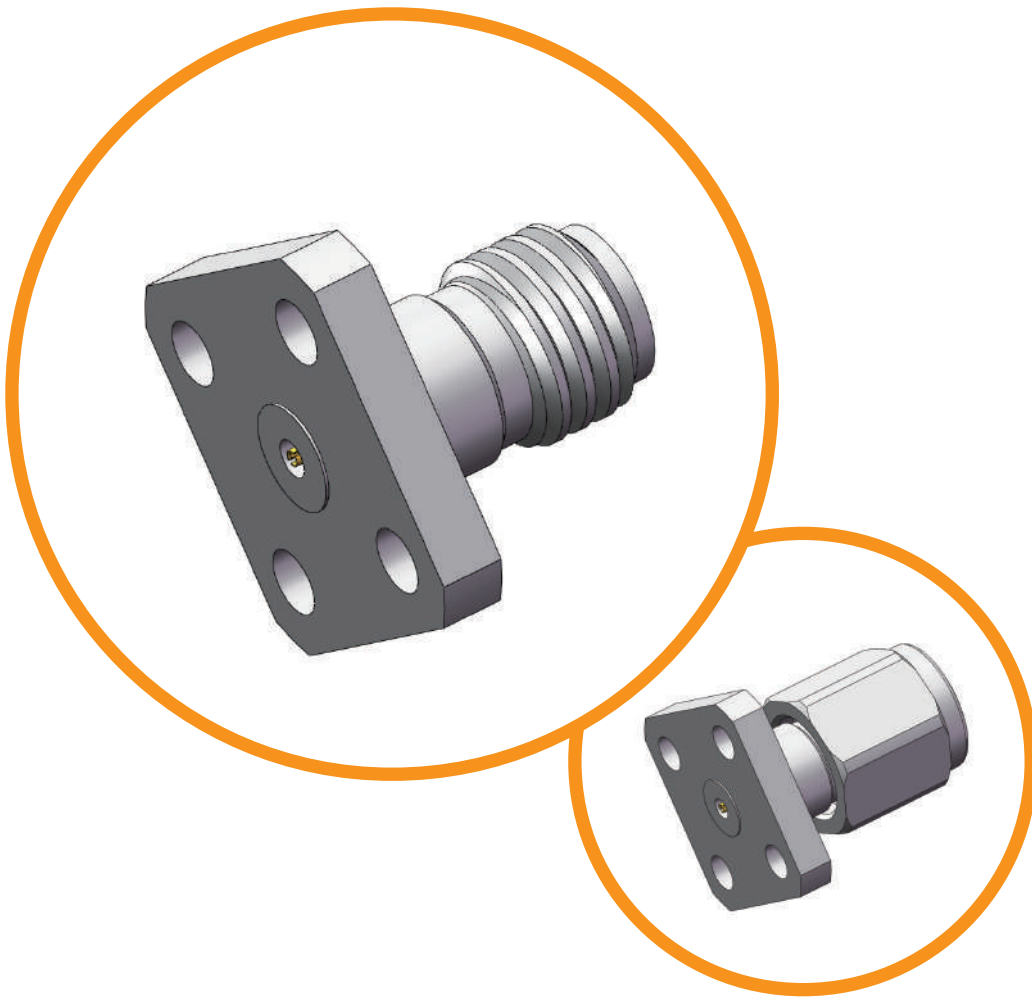


1.0mm DC to 110 GHz



Low VSWR

Ultra-low loss

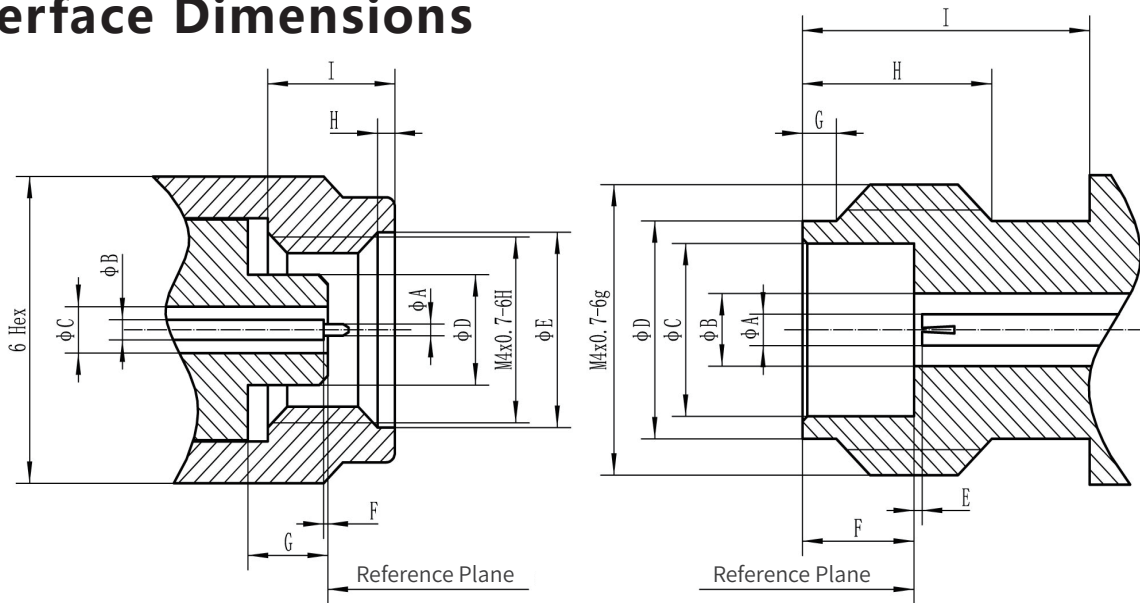
Durable & rugged

Extremely long service life

1.0mm Connector

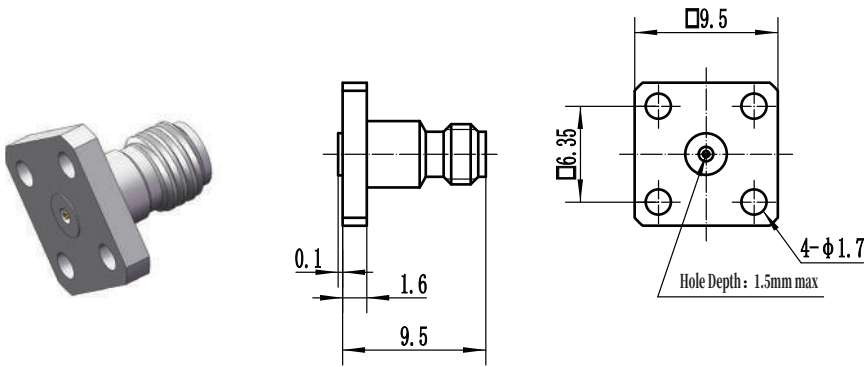
Electrical Data	Impedance	50 Ω	
	Frequency Range	DC ~ 110 GHz	
	VSWR	1.5 (Typical)	
	IL	$\leq 0.06 \sqrt{F(\text{GHz})}$ dB	
	Contact Resistance	Center Contact	≤ 6 m Ω
		Outer Contact	≤ 3 m Ω
	Insulation Resistance	≥ 5000 M Ω	
	Dielectric Withstanding Voltage	≥ 300 Vrms	
Environmental Data	Temperature Range	-55C° ~ +165C°	
Material / Plating	Bodies, Outer Contacts	Stainless Steel/Passivated; Brass /Gold, Nickel	
	Center Contacts	Beryllium Copper, Brass/Gold	
	Insulators	PEI, PTFE	

Interface Dimensions

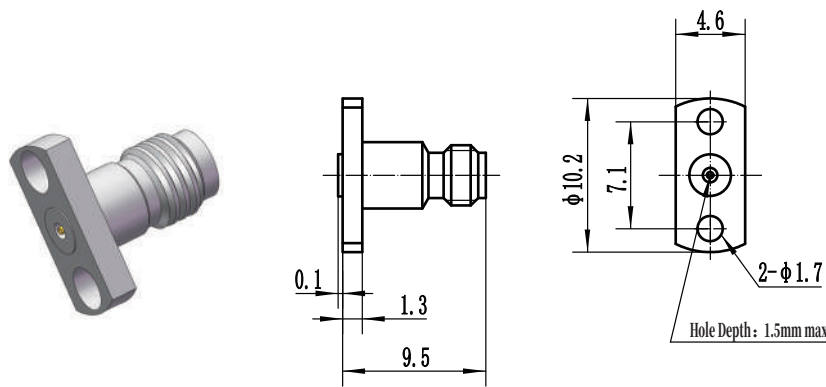


Plug (male)		
	Min (mm)	Max (mm)
A	0.245	0.255
B	0.429	0.439
C	0.995	1.005
D	2.362	2.372
E	4.15	4.25
F	0.000	0.051
G	1.8	1.9
H	0.3	0.5
I	2.84	3.04

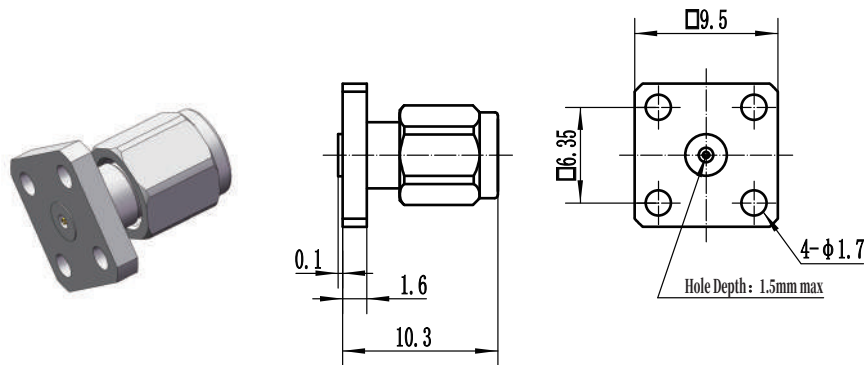
Jack (female)		
	Min (mm)	Max (mm)
A	0.429	0.439
B	0.995	1.005
C	2.38	2.39
D	2.95	3.05
E	0.000	0.051
F	1.6	1.7
G	0.45	0.55
H	2.7	2.9
I	3.75	----



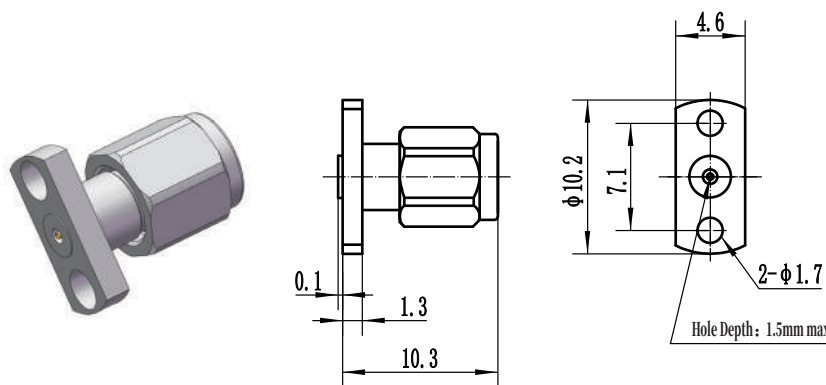
Accepts PIN DIA.	Model No.
Φ0.23mm	1.0-KFD1



Accepts PIN DIA.	Model No.
Φ0.23mm	1.0-KFD2



Accepts PIN DIA.	Model No.
Φ0.23mm	1.0-JFD1



Accepts PIN DIA.	Model No.
Φ0.23mm	1.0-JFD2